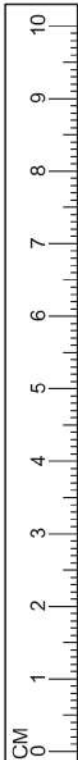
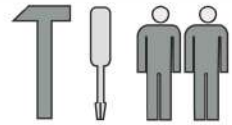
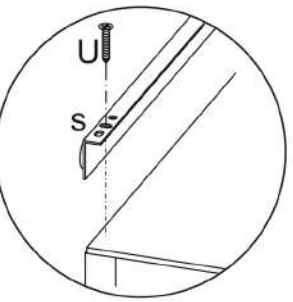
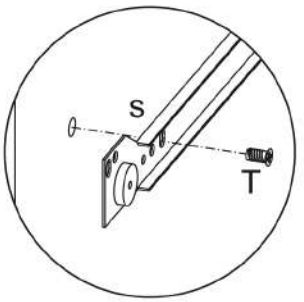
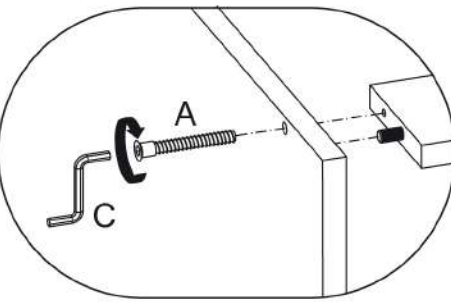
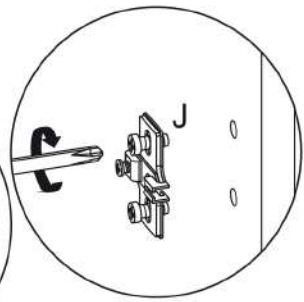
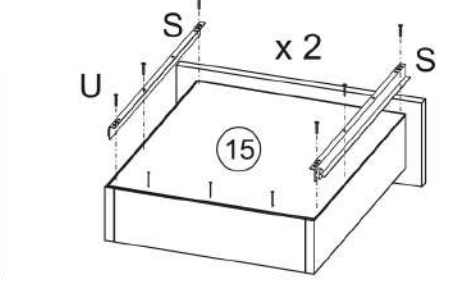
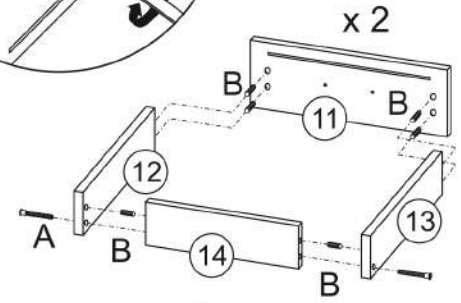
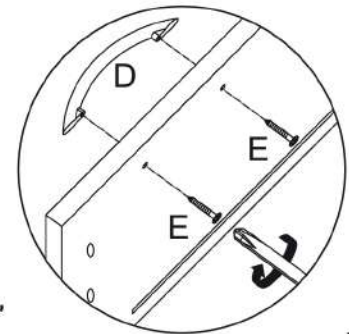
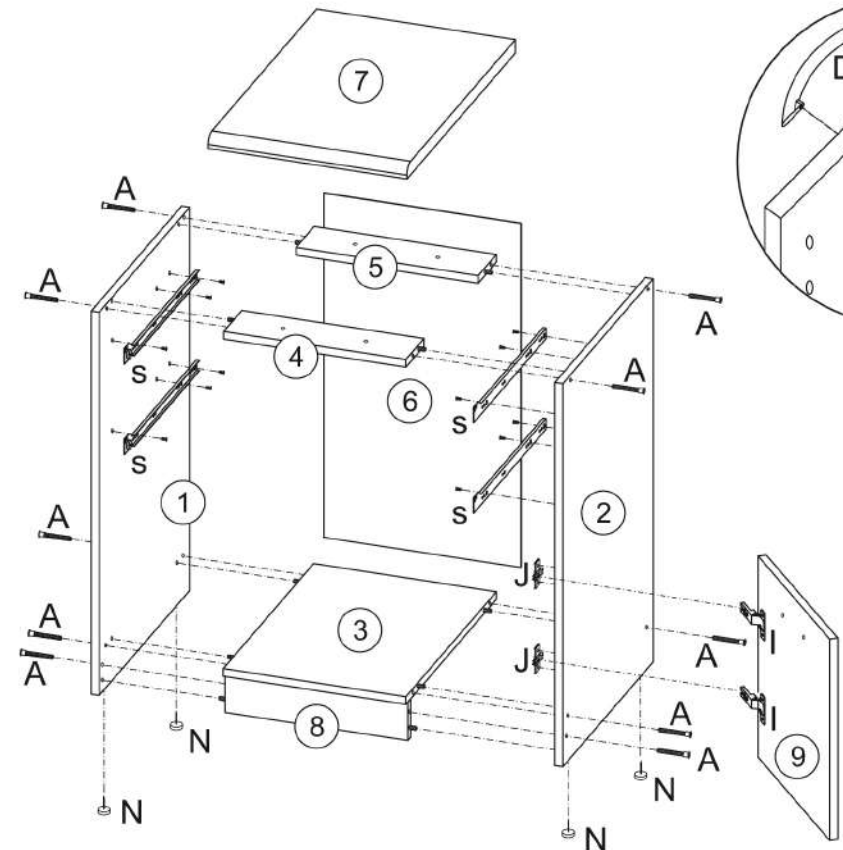
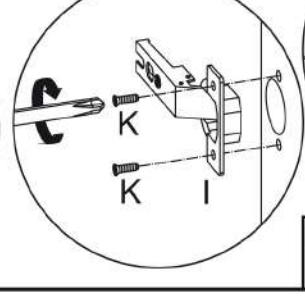
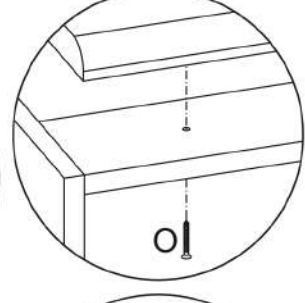
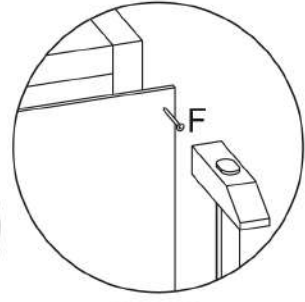
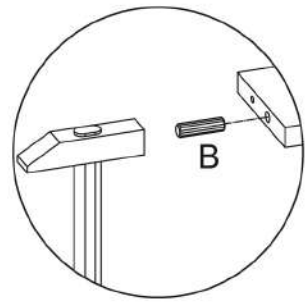


40 Down 2 Drawers



A	B	C	D	E	F	I	J	K	N	O	S	T
14	22	1	3	6	~25	2	2	4	4	4	2	12

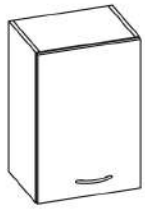


U
12

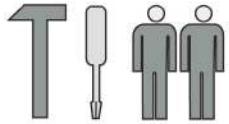
No packer:

Dear Customer.

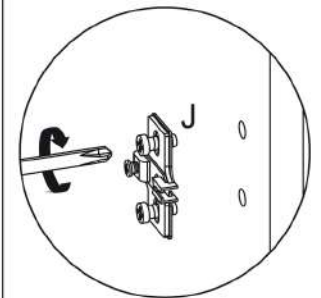
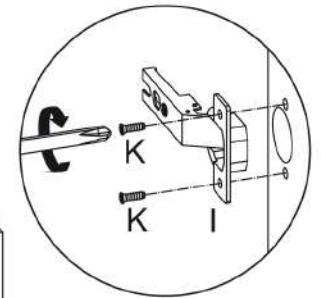
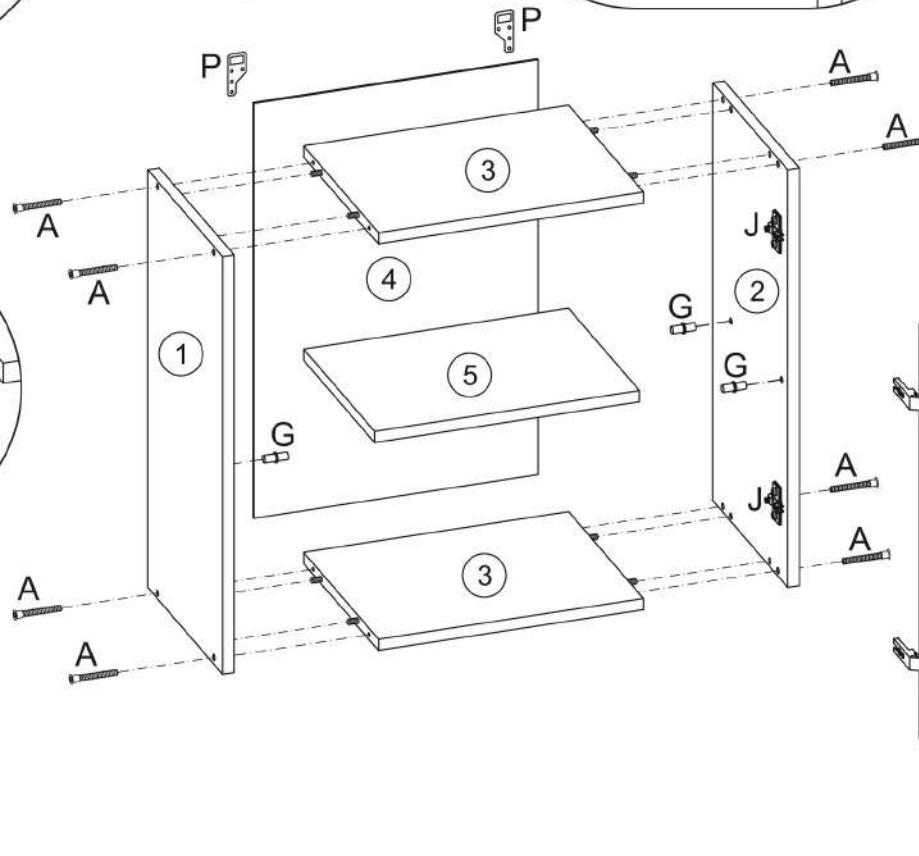
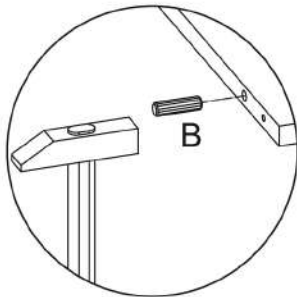
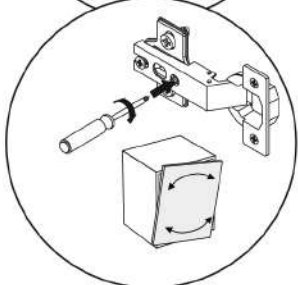
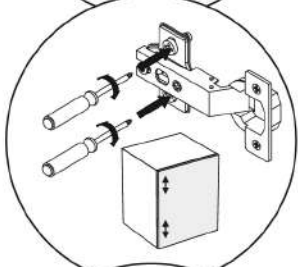
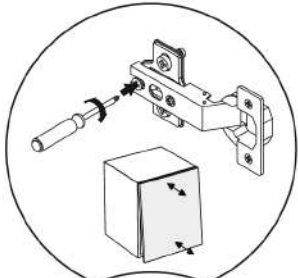
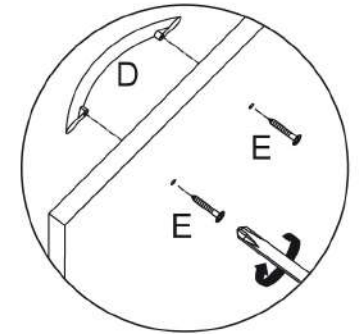
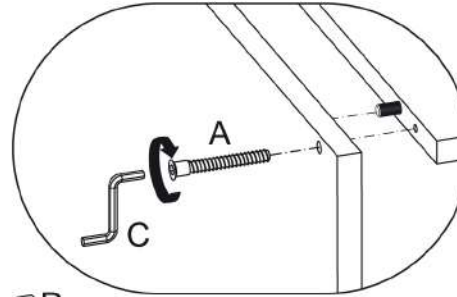
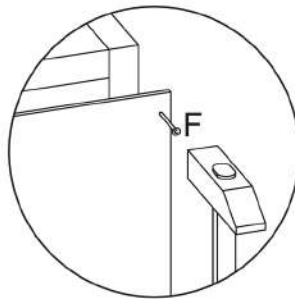
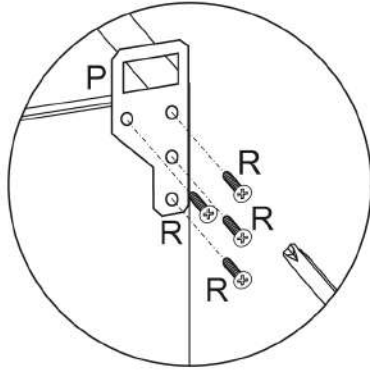
We regret to inform you, that in time complaint please give No packer and No missing and spoil element.



40 Up



A	B	C	D	E	F	G	I	J	K	P	R
8	8	1	1	2	~20	4	2	2	4	2	8



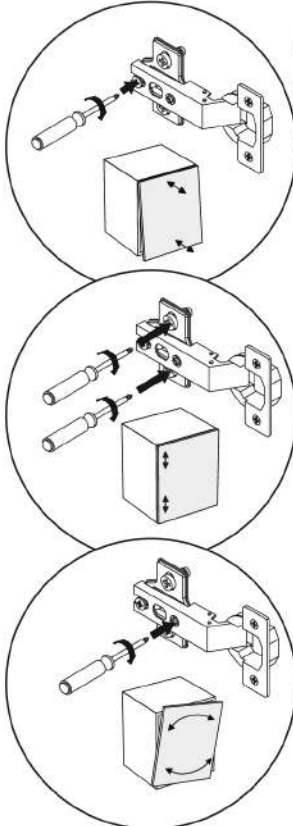
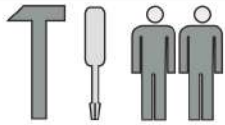
No packer:














Dear Customer.

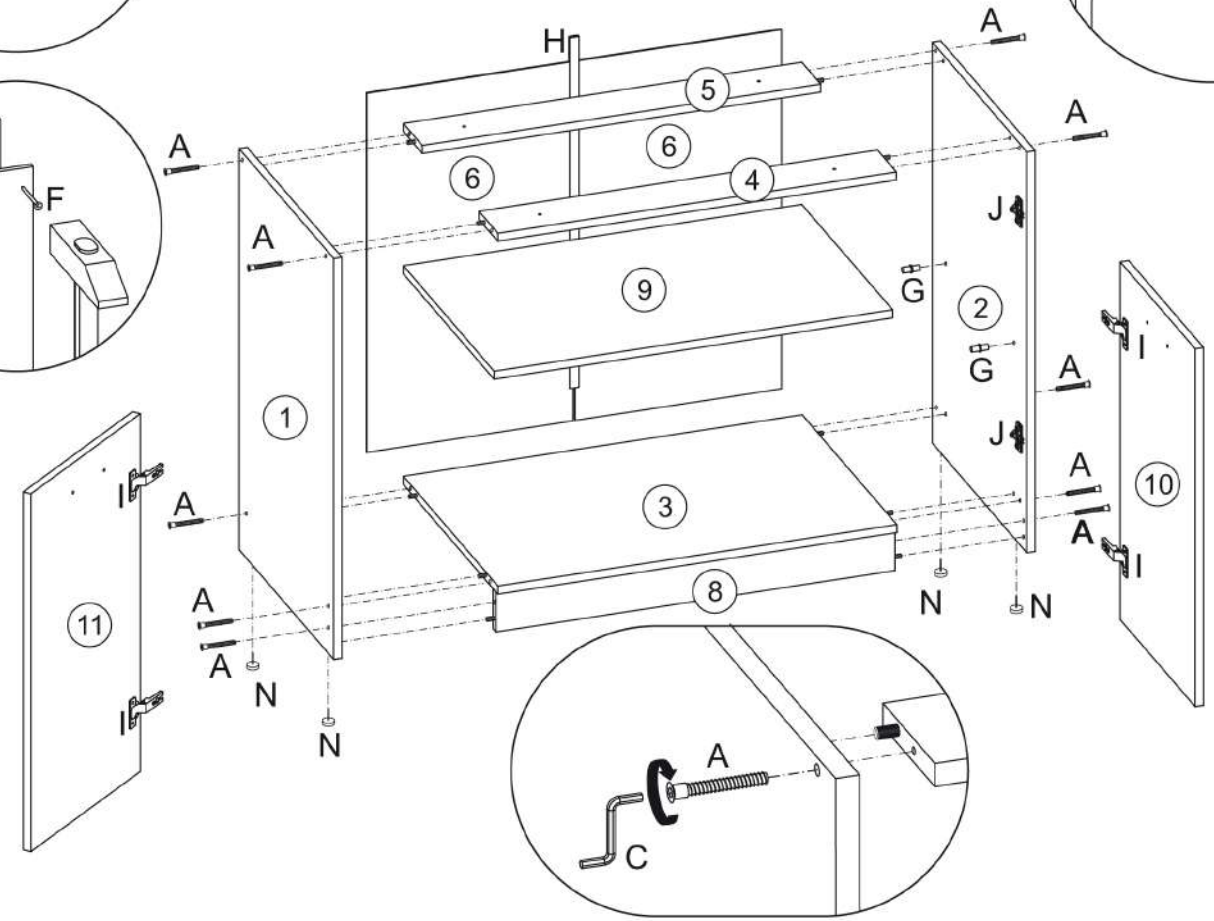
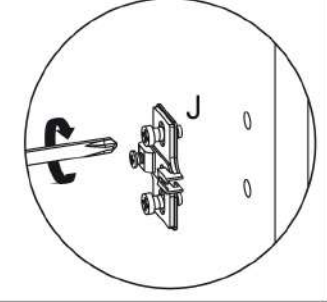
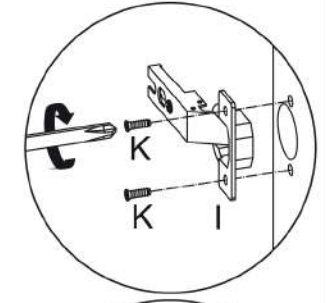
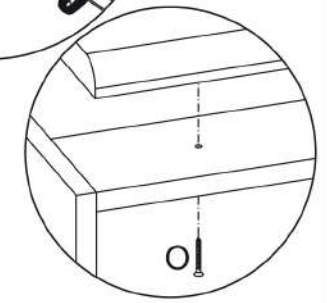
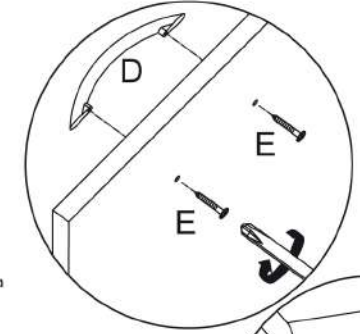
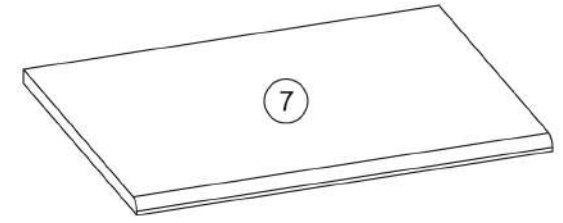
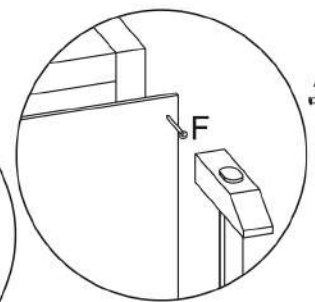
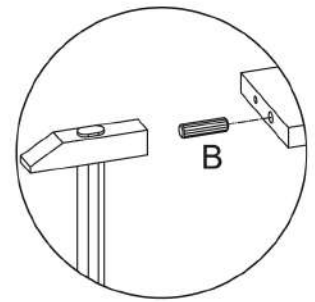
We regret to inform you, that in time complaint please give No packer and No missing and spoil element.



80 Down



												
10	10	1	2	4	~20	4	1	4	4	8	4	4



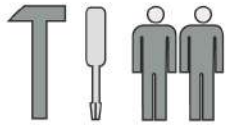
No packer:

Dear Customer.

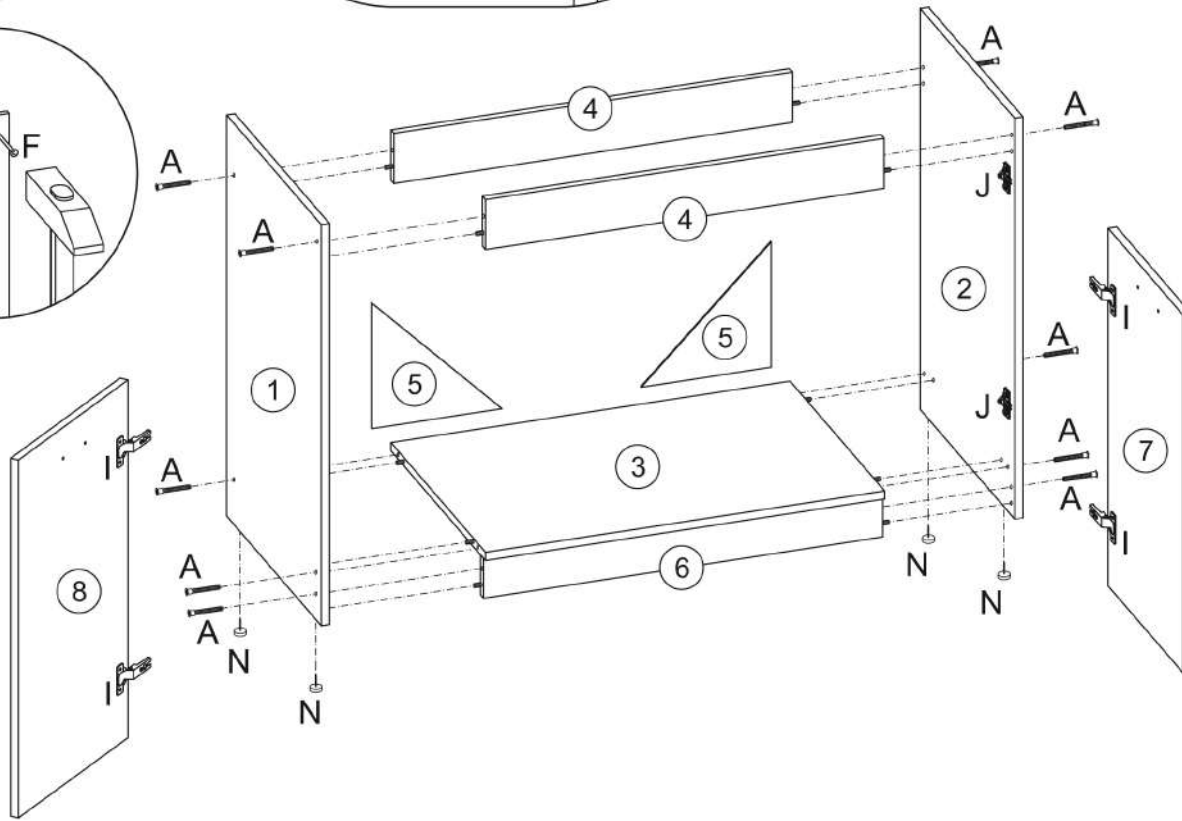
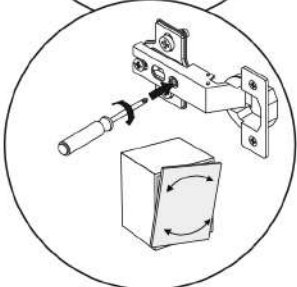
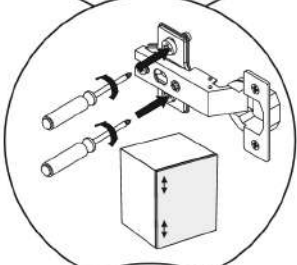
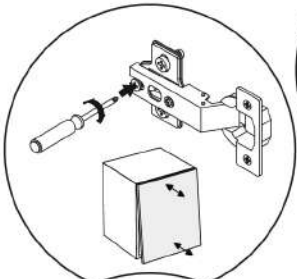
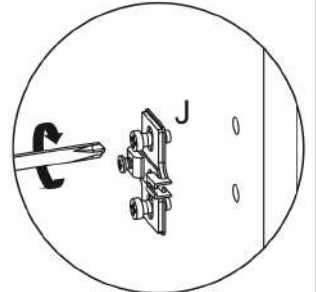
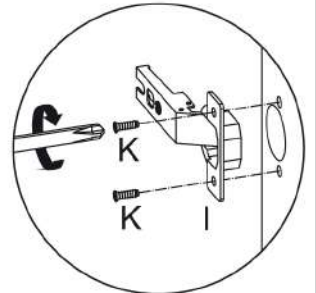
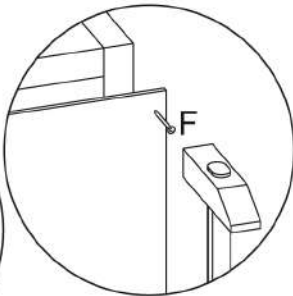
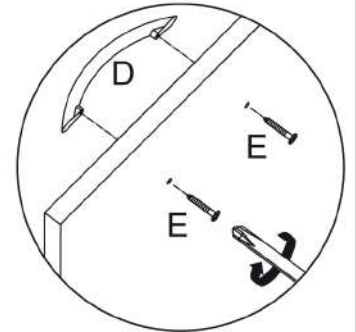
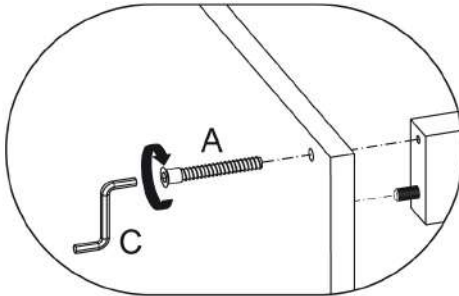
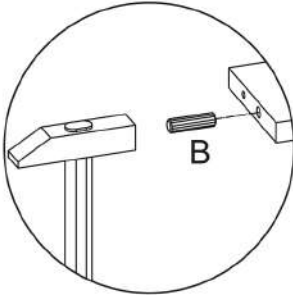
We regret to inform you, that in time complaint please give No packer and No missing and spoil element.



80 Kitchen sink



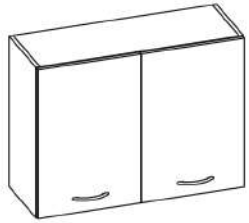
				$\phi 4.0 \times 30 \text{mm}$ 				$\phi 4.0 \times 16 \text{mm}$ 	
A	B	C	D	E	F	I	J	K	N
10	10	1	2	4	~20	4	4	8	4



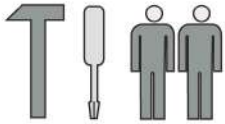
No packer:












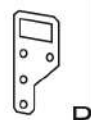

Dear Customer.

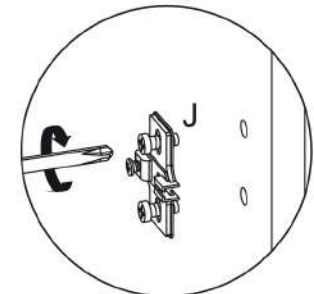
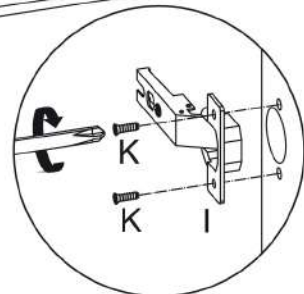
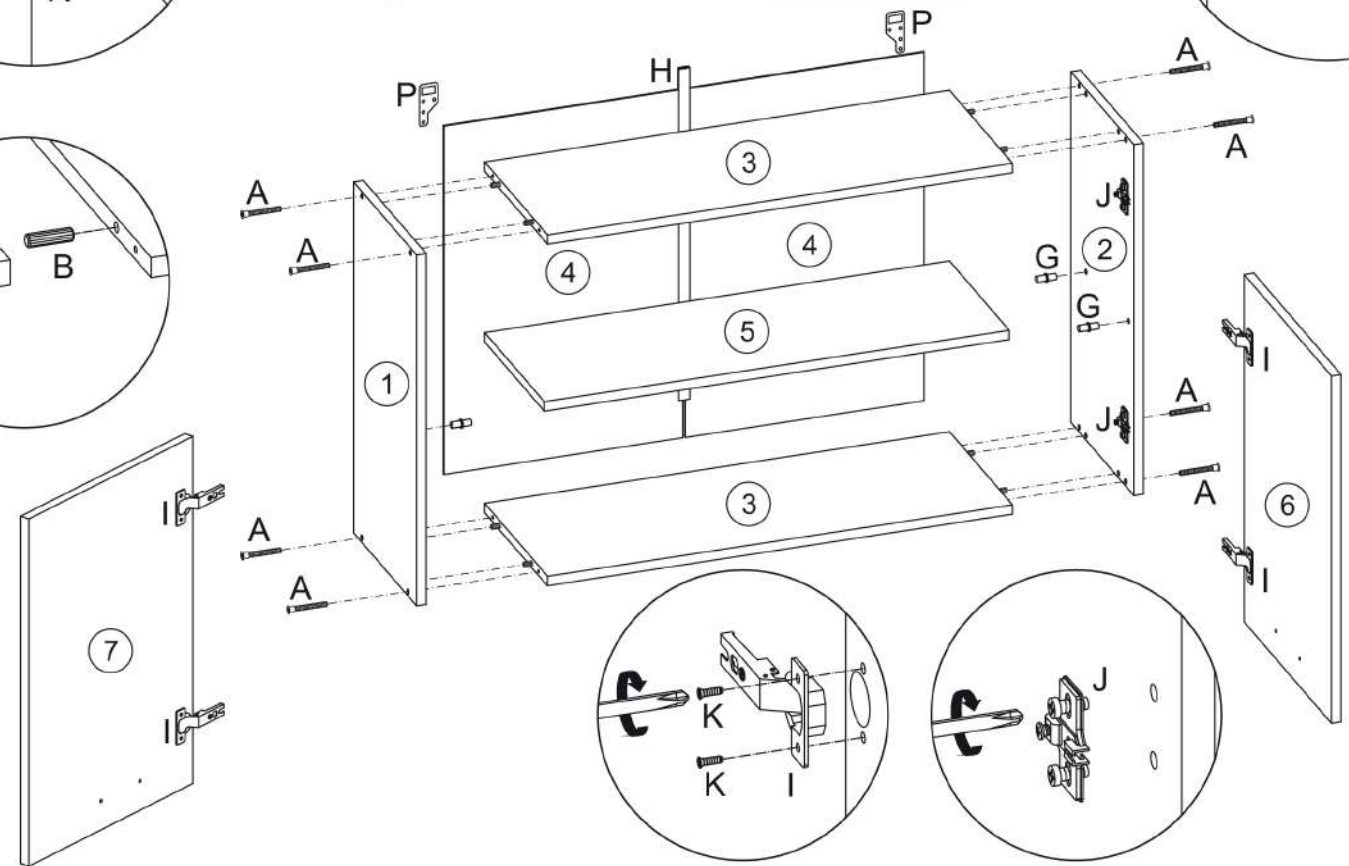
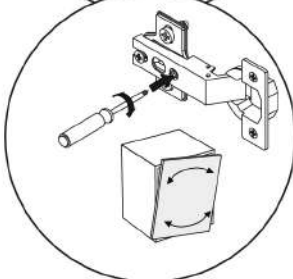
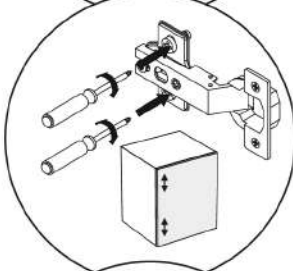
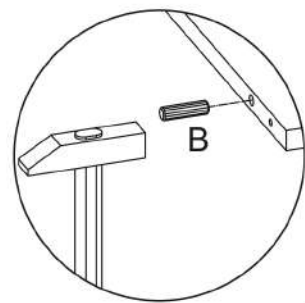
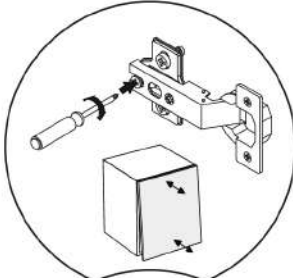
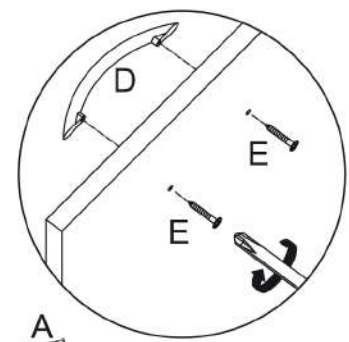
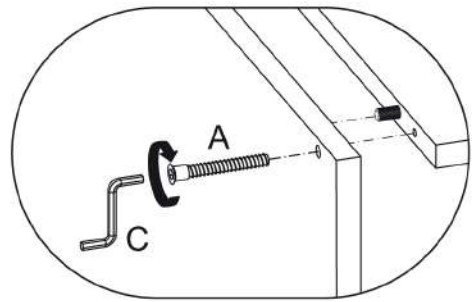
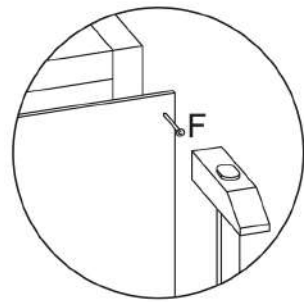
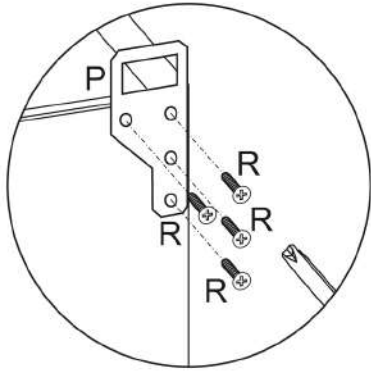
We regret to inform you, that in time complaint please give No packer and No missing and spoil element.



80 Up

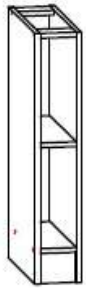


												
8	8	1	2	4	~20	4	1	4	4	8	2	8

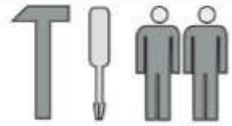









No packer:

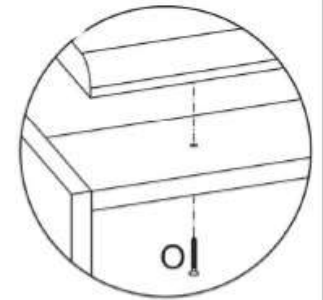
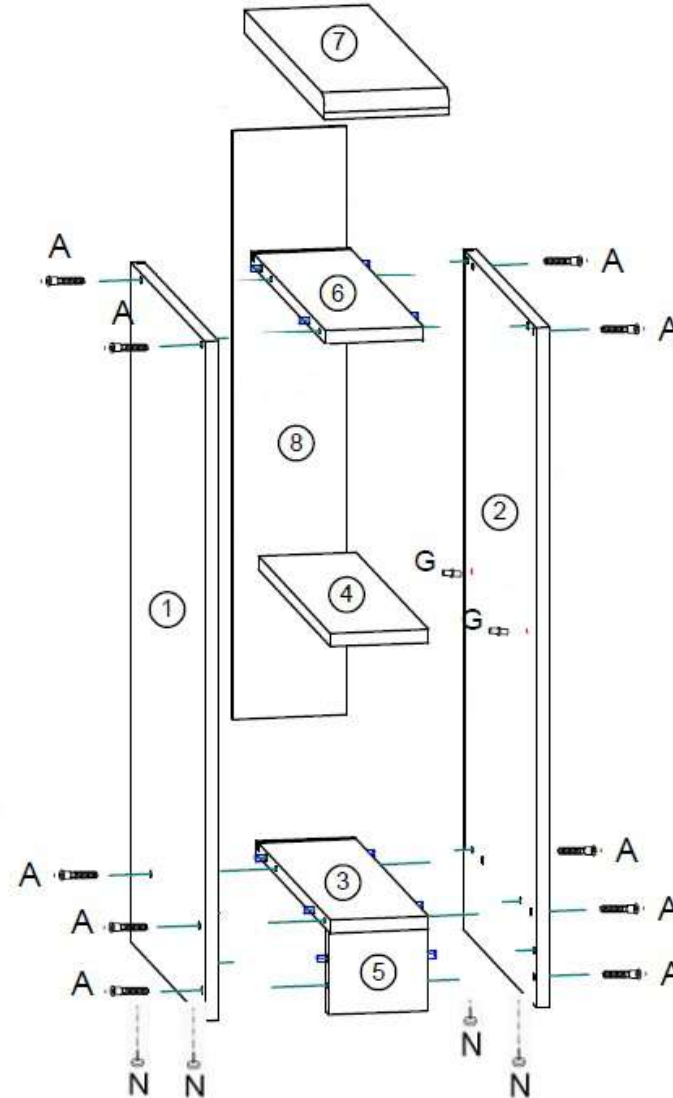
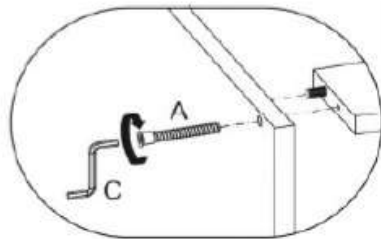
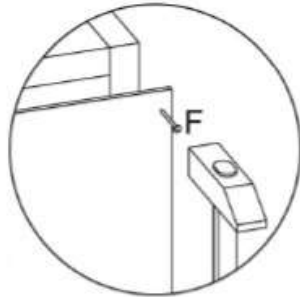
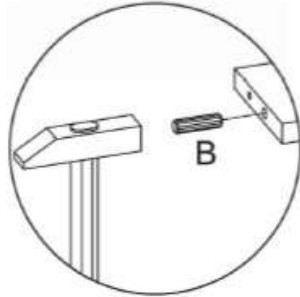
Dear Customer.
We regret to inform you, that in time complaint please give No packer and No missing and spoil element.



D-15



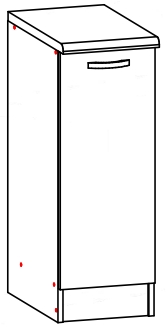
						
10	10	1	~20	4	4	2



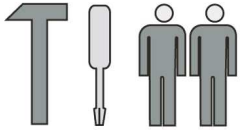
No packer:




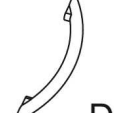



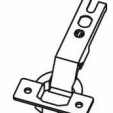




Dear Customer.

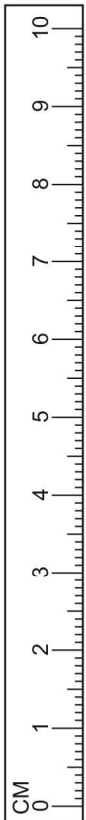
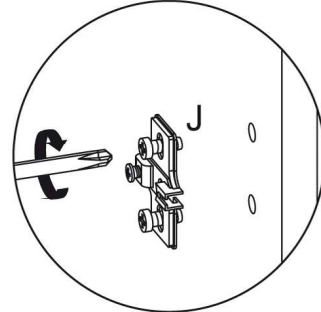
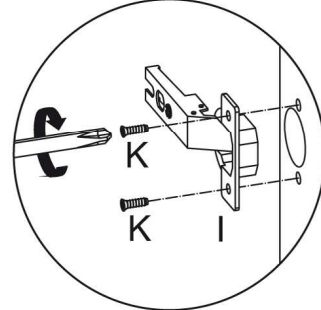
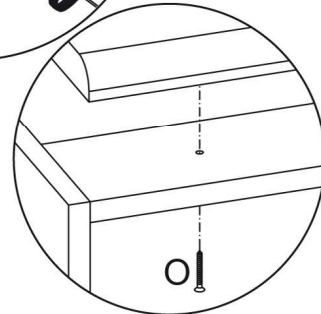
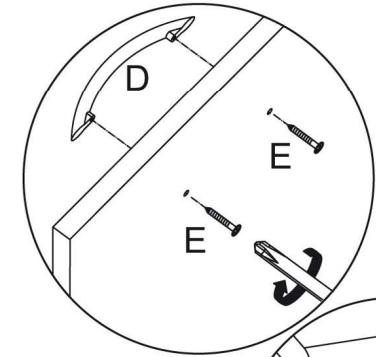
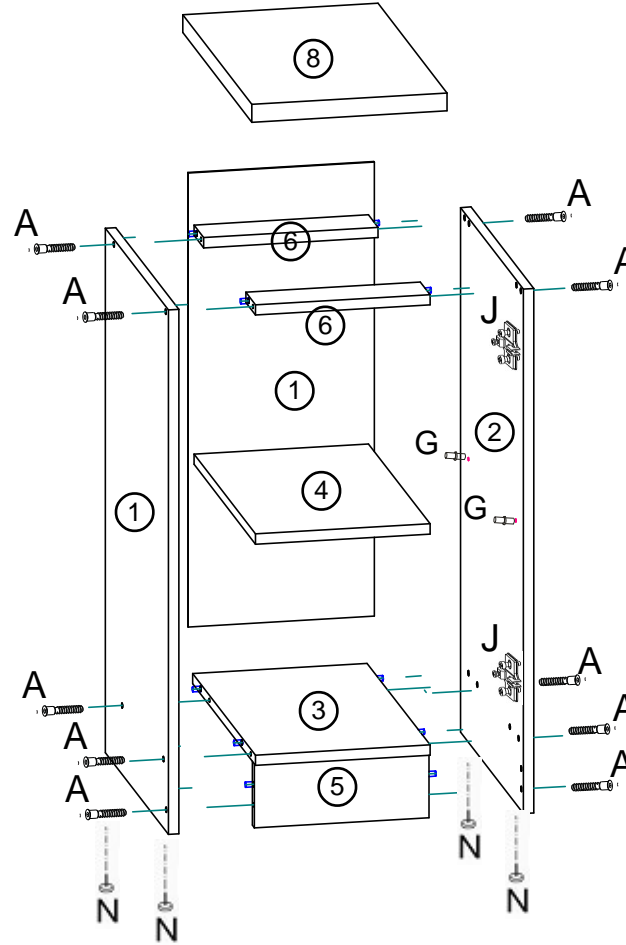
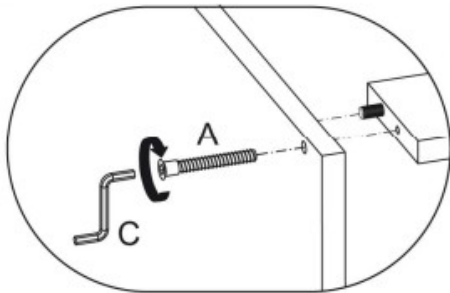
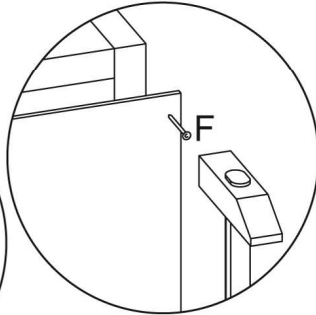
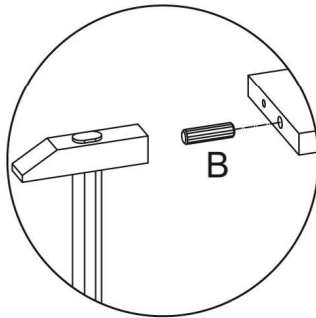
We regret to inform you, that in time complaint please give No packer and No missing and spoil element.



D-30



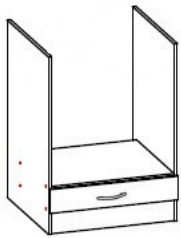
											
10	10	1	1	2	~20	4	2	2	4	4	4



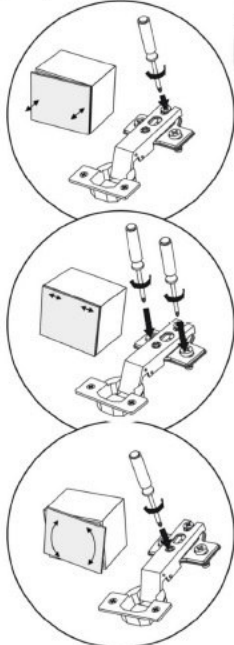
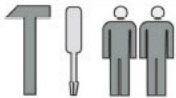
No packer:












Dear Customer.

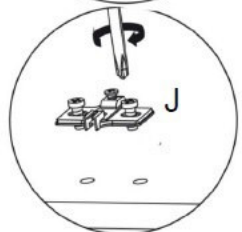
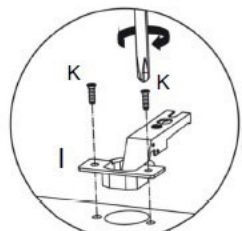
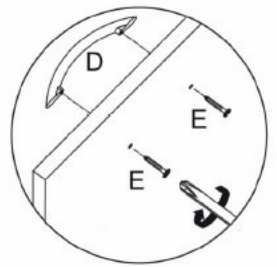
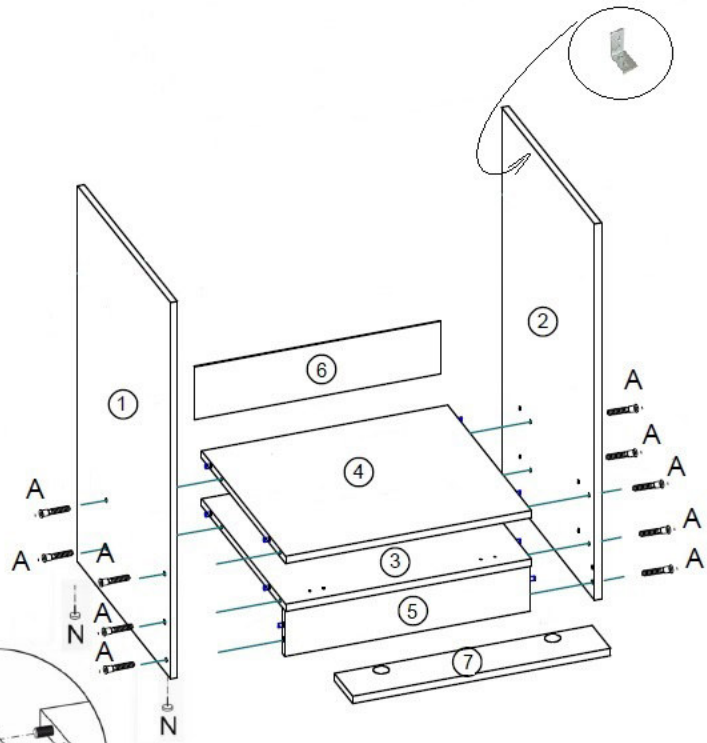
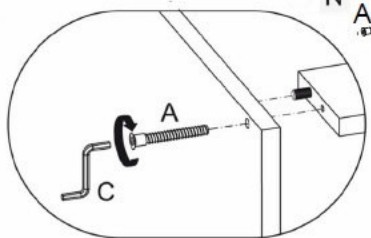
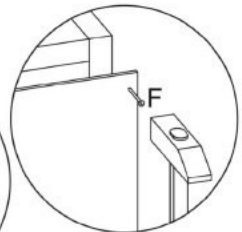
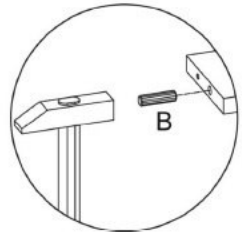
We regret to inform you, that in time complaint please give No packer and No missing and spoil element.



DP-60_82



										
12	12	1	1	2	~20	2	2	4	4	4



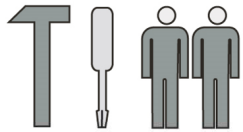
No packer:



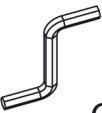


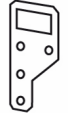

Dear Customer.

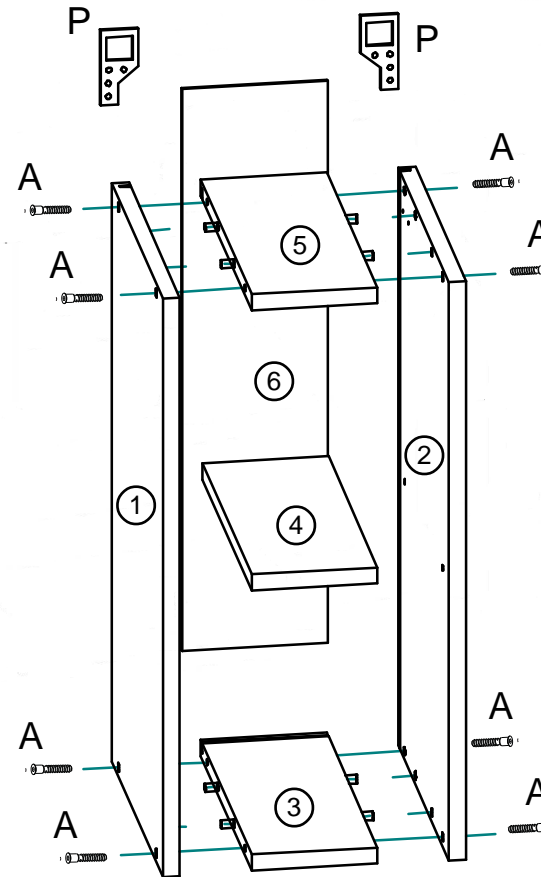
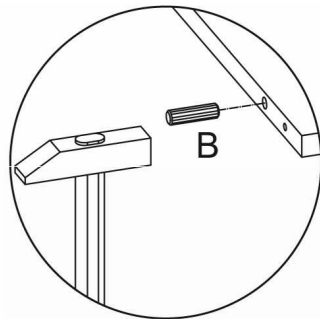
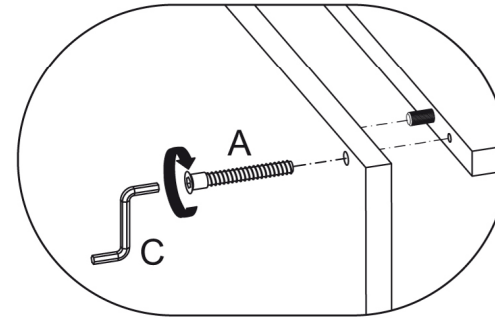
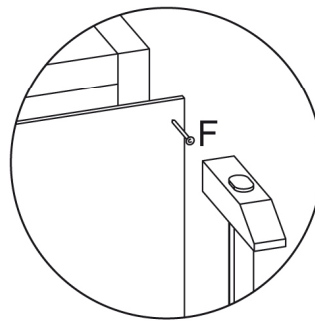
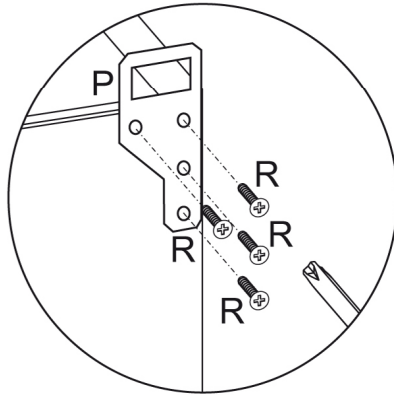
We regret to inform you, that in time complaint please give No packer and No missing and spoil element.



G-15



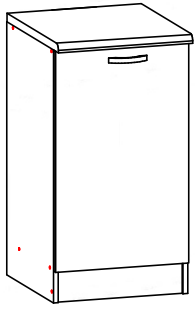
						$\phi 4.0 \times 30 \text{mm}$ 
A	B	C	F	G	P	R
8	8	1	~20	4	2	8



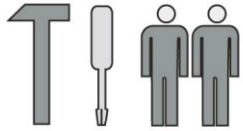
No packer:

Dear Customer.

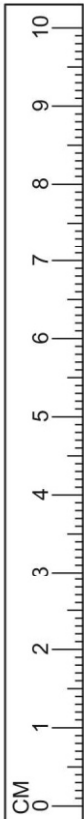
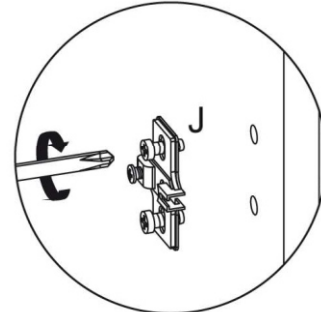
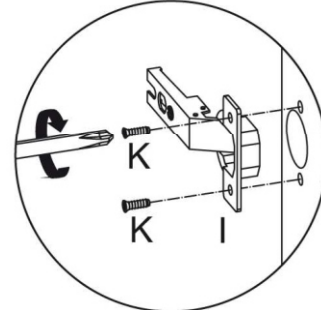
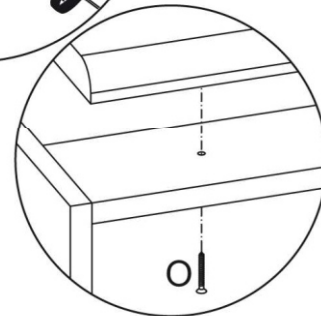
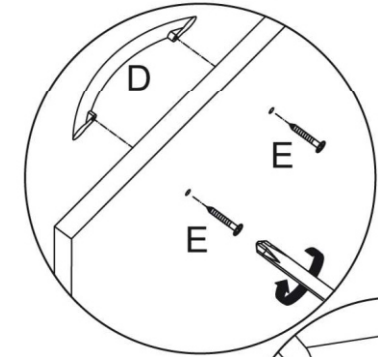
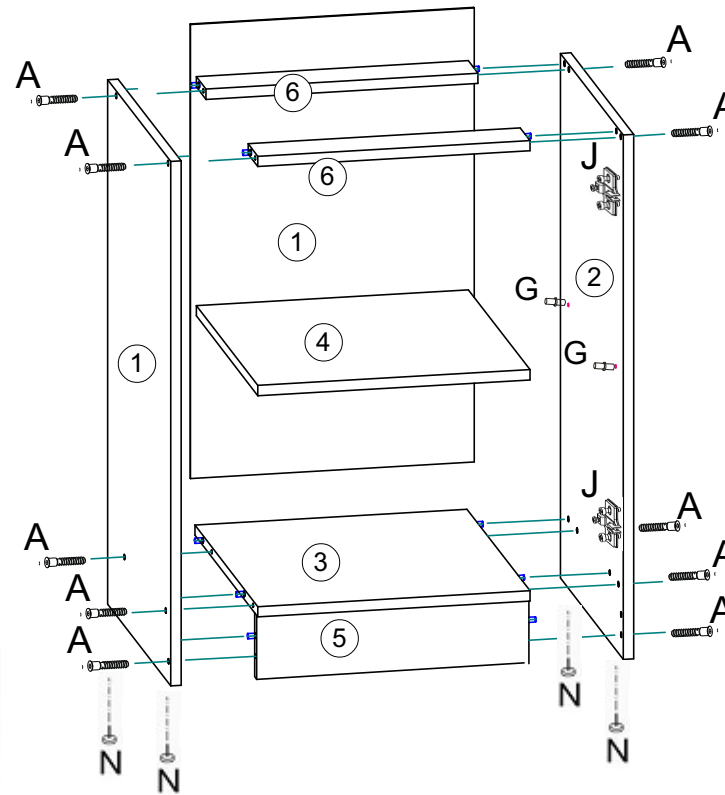
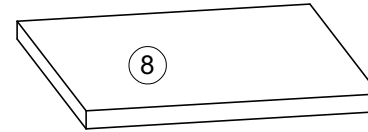
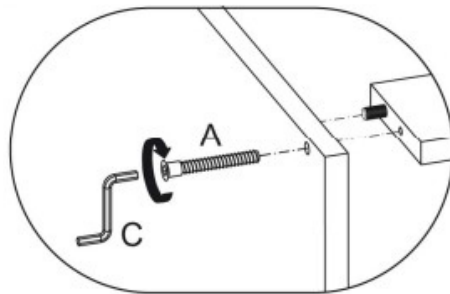
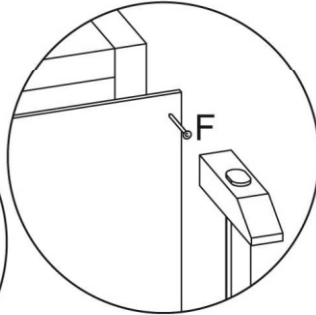
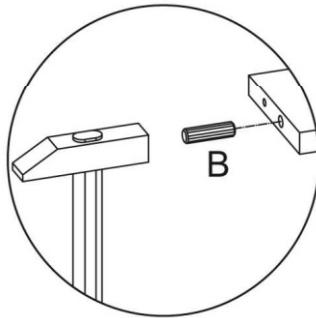
We regret to inform you, that in time complaint please give No packer and No missing and spoil element.



D-45



A	B	C	D	E	F	G	I	J	K	N	O
10	10	1	1	2	~20	4	2	2	4	4	4



No packer:

Dear Customer.

We regret to inform you, that in time complaint please give No packer and No missing and spoil element.