

3

8

5

8

4

1

6

7.1 + 7.2 + 7.3

7.1 + 7.2 + 7.3

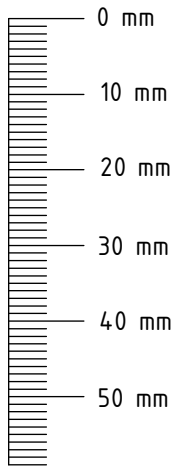
7.1 + 7.2 + 7.3

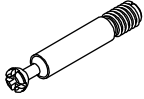
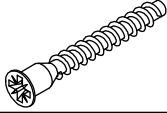
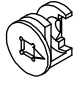
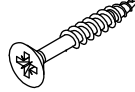
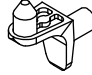
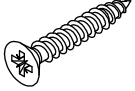
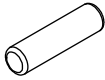

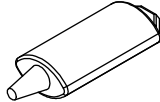

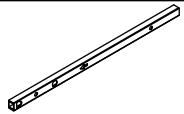
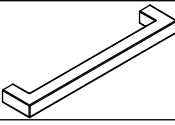
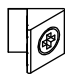
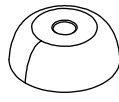

7.1 + 7.2 + 7.3

7.1 + 7.2 + 7.3

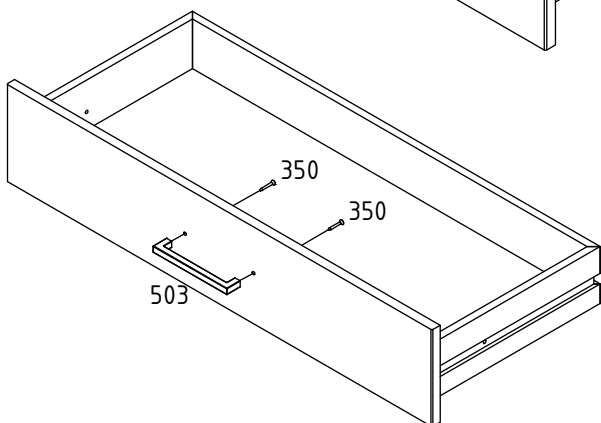
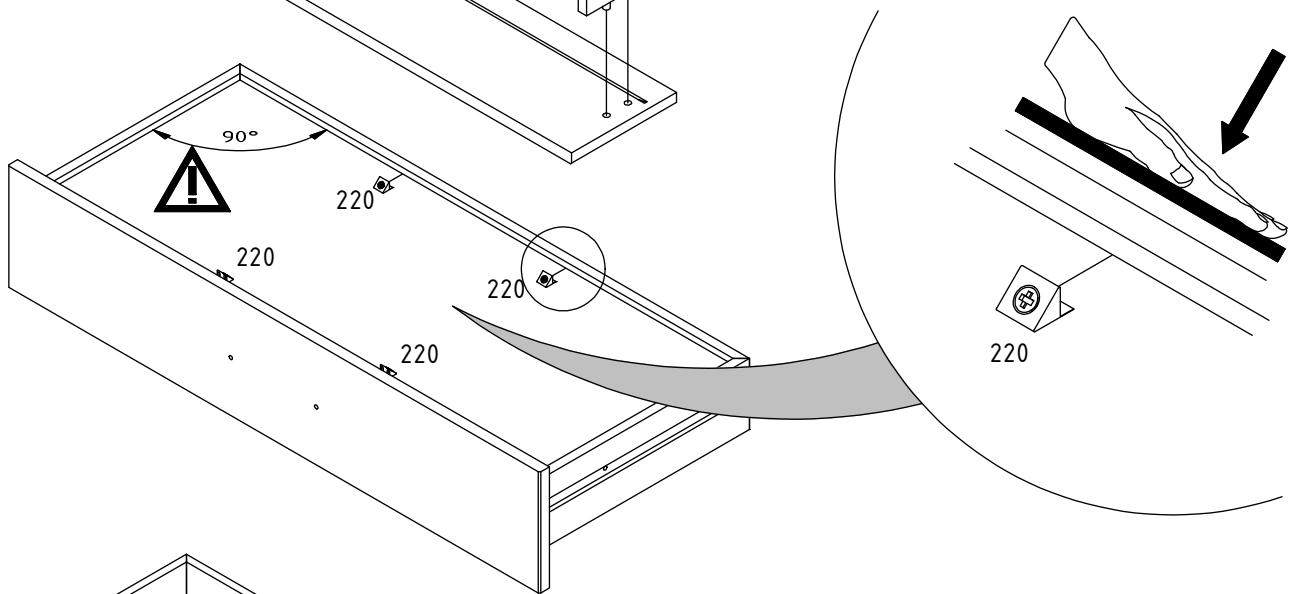
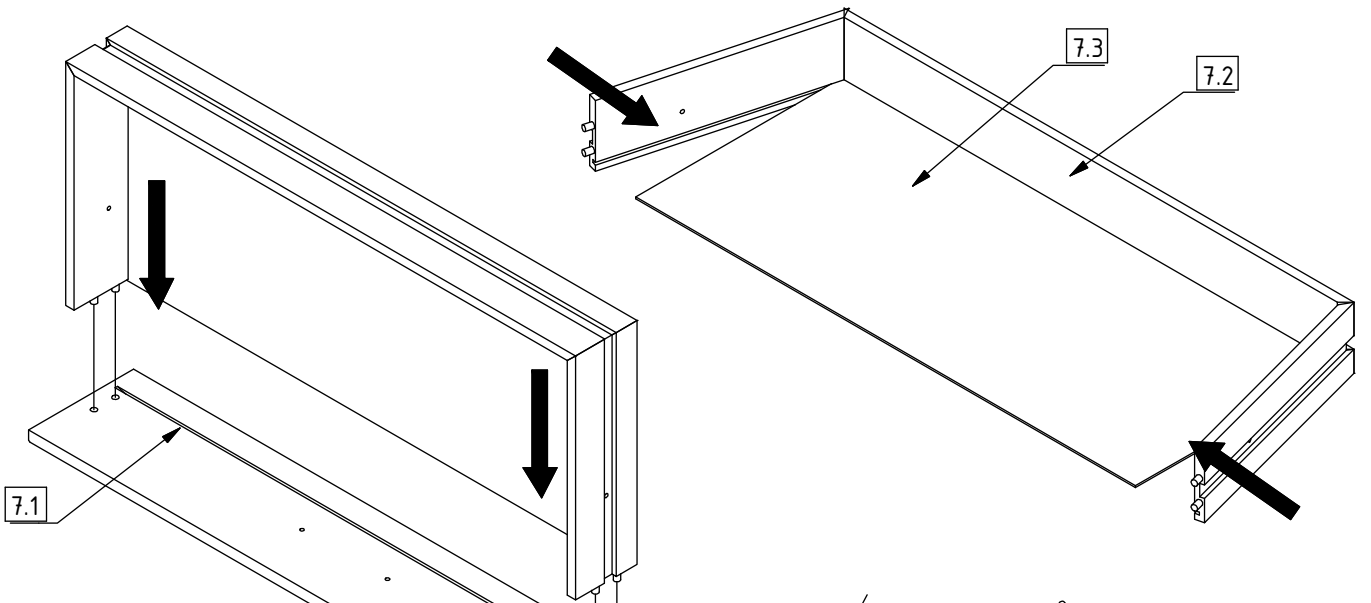
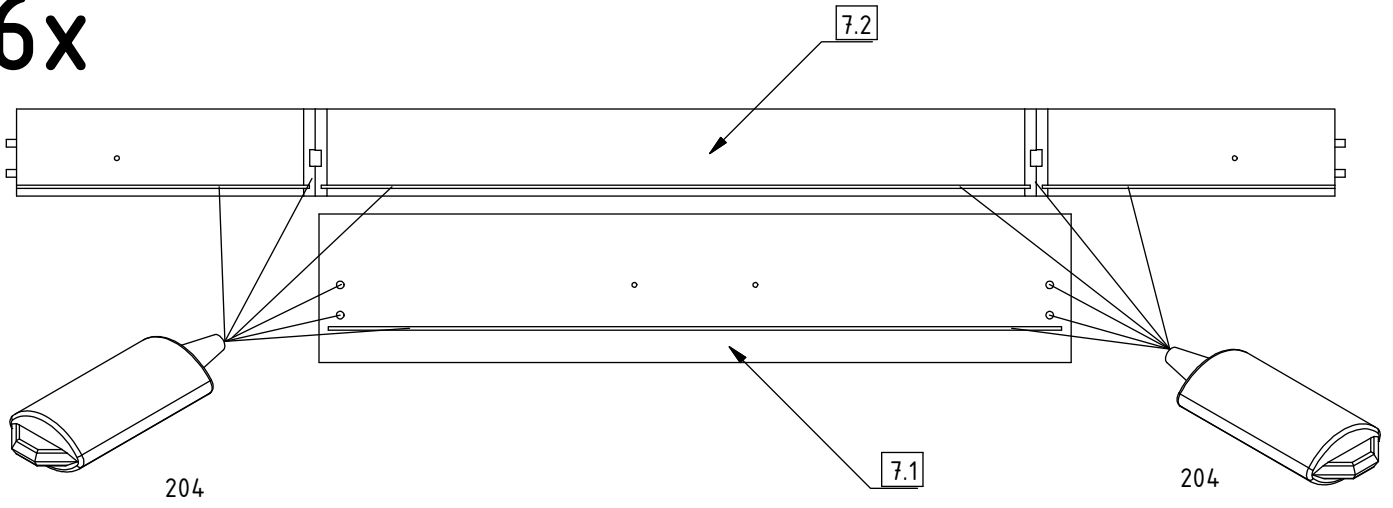
7.1 + 7.2 + 7.3

2

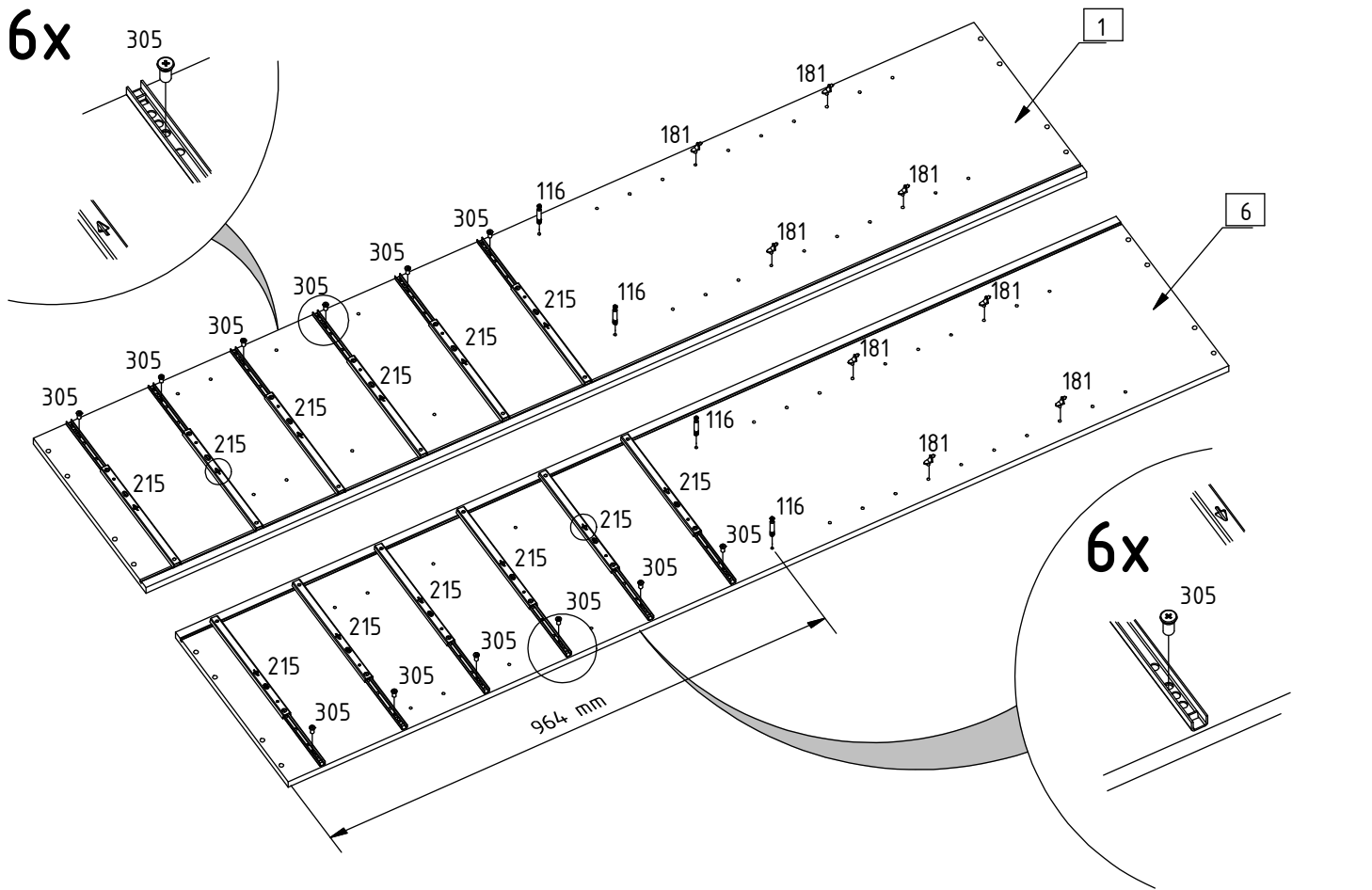


116	4		320	8	
120	4		349	2	 3,5 x 25mm
181	8		350	12	 4,0 x 25mm
190	8	 $\varnothing 8 \times 30\text{mm}$	352	6	 4,0 x 20mm
204	6		408	12	 M4 x 9mm
215	12		503	6	
220	34		737	6	
305	24	 6,3 x 9mm			

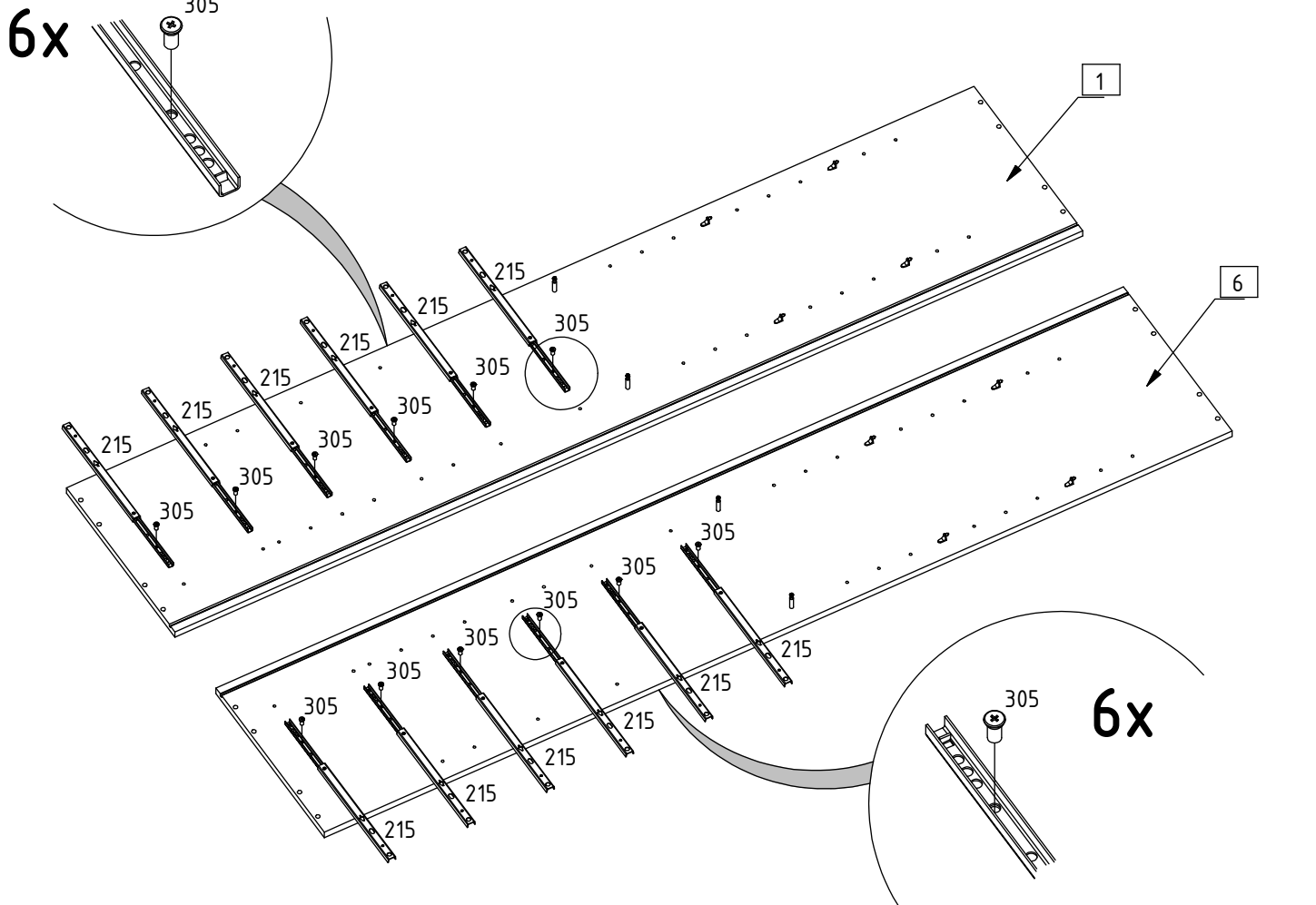
6x

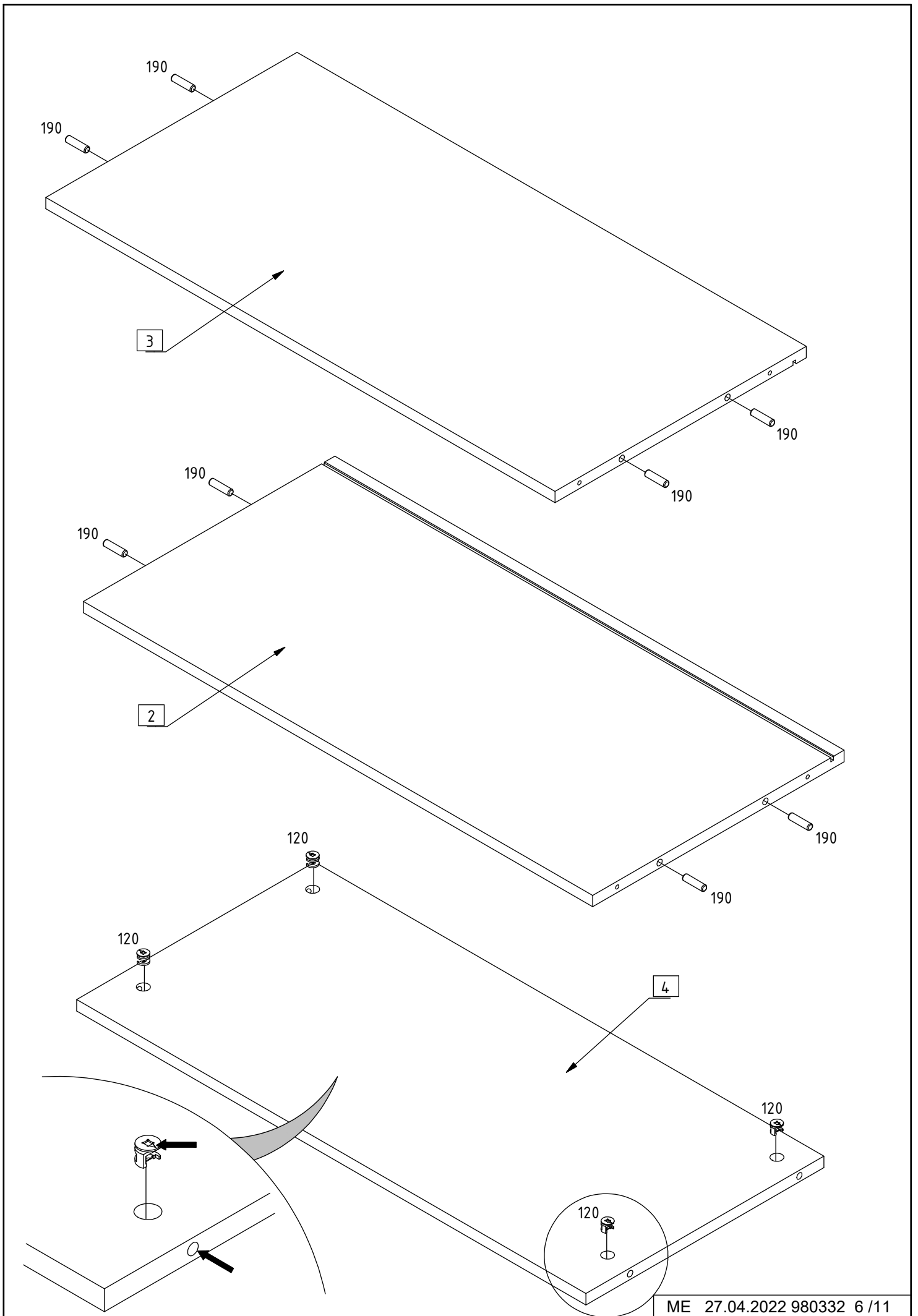


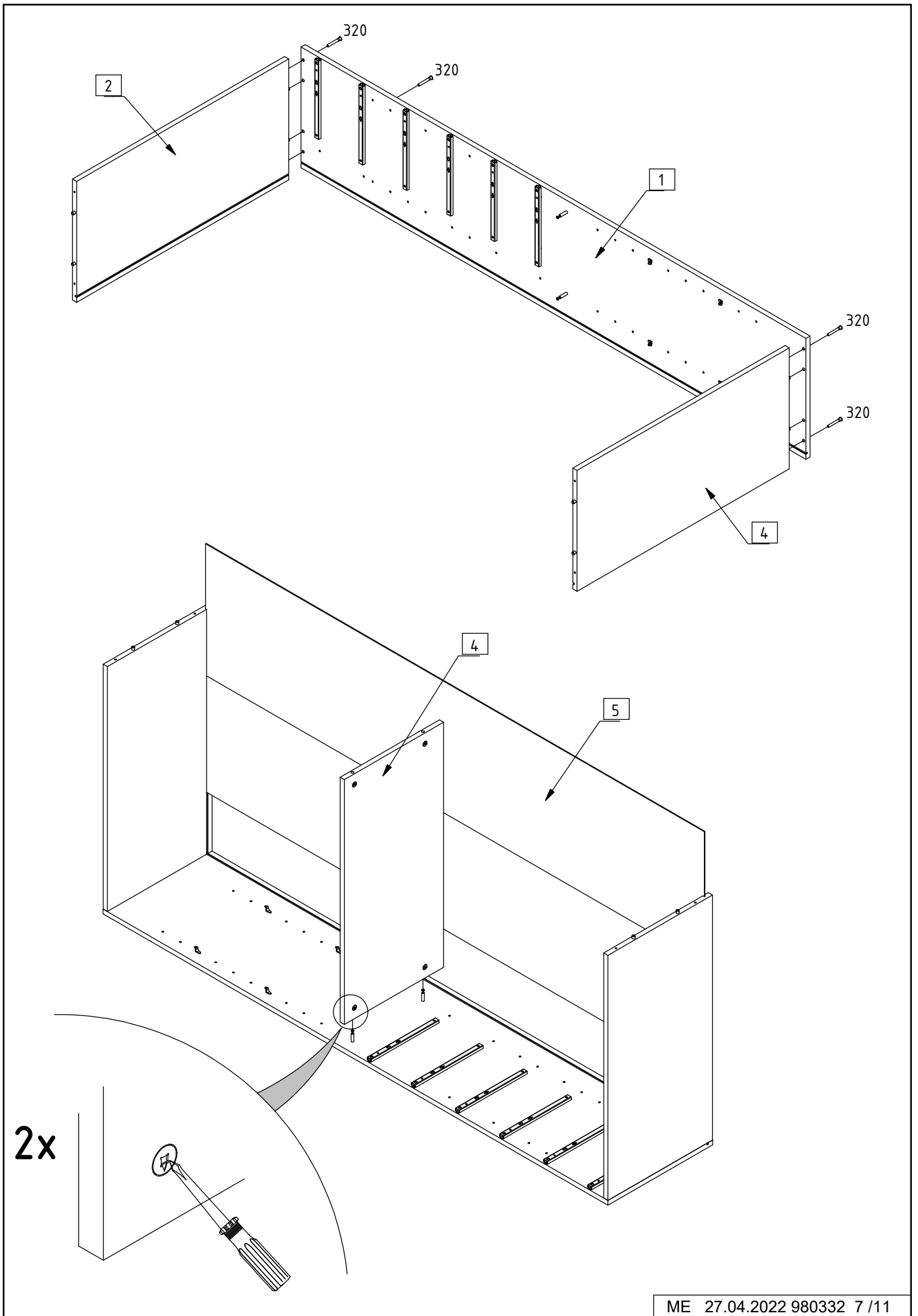
6x

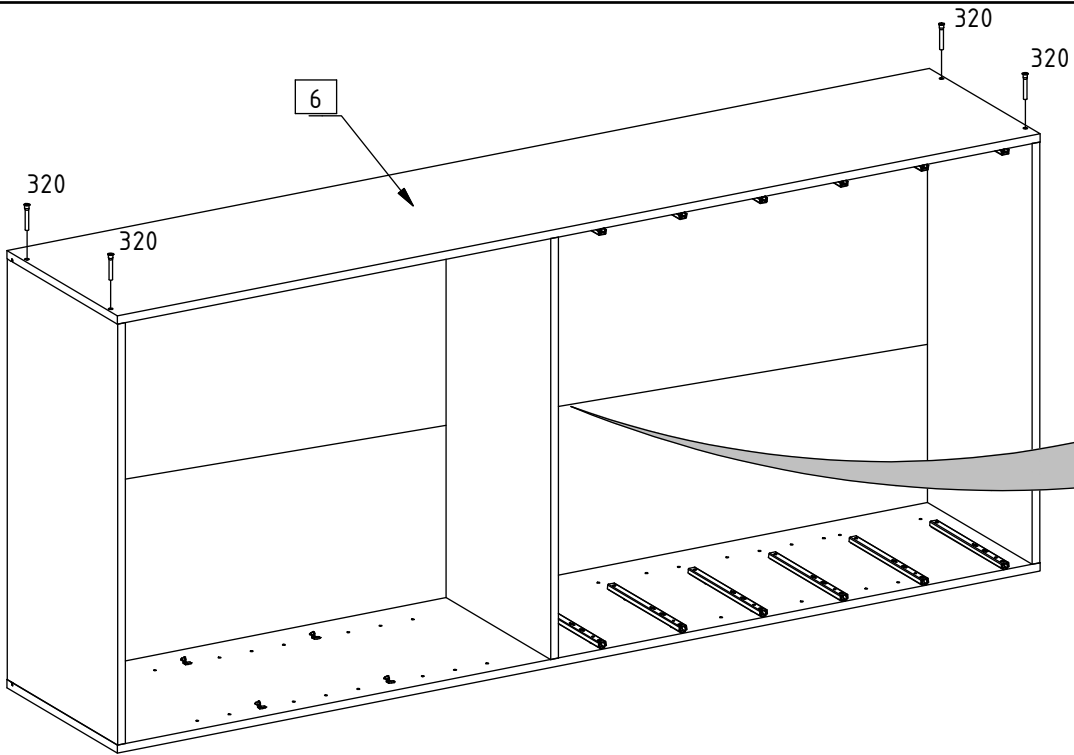


6x

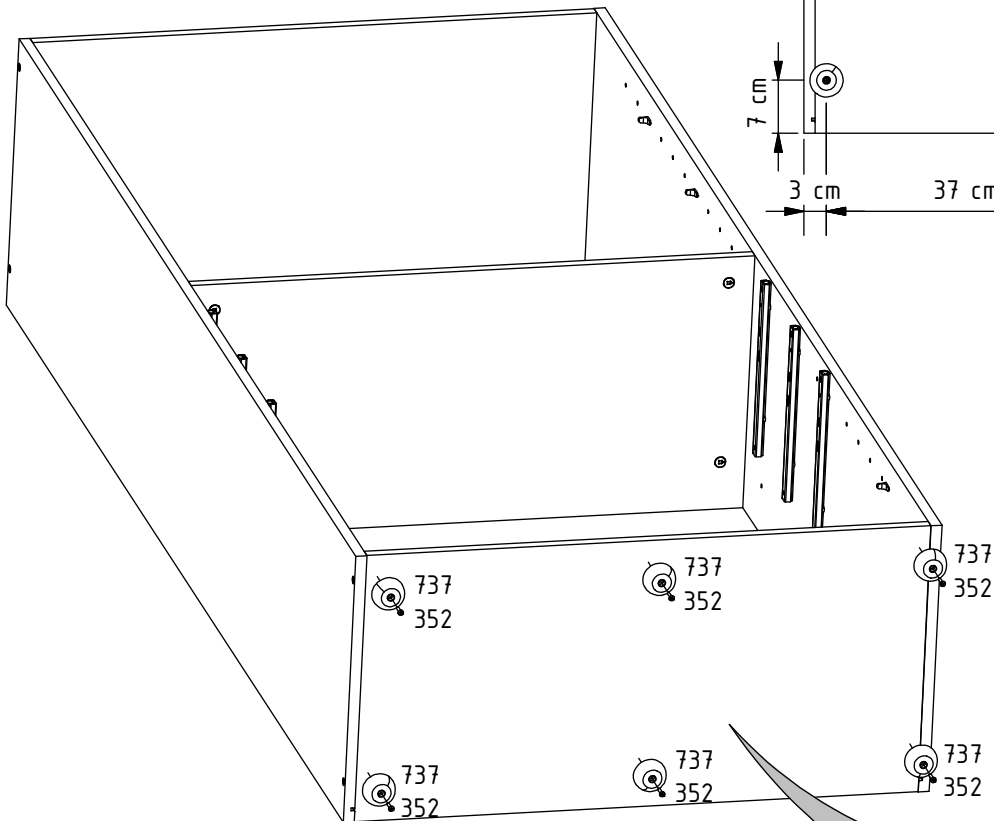
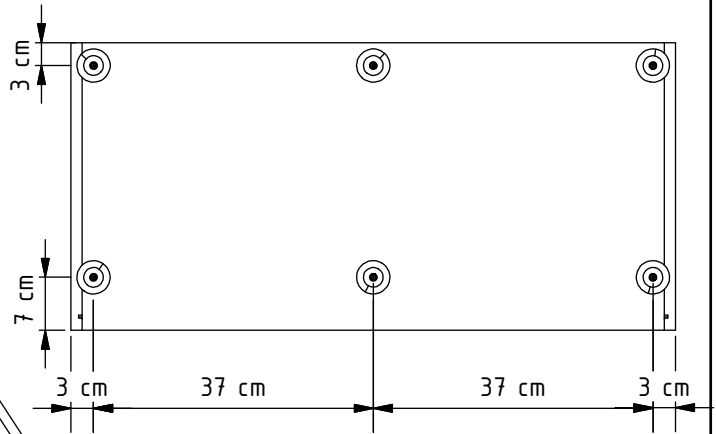




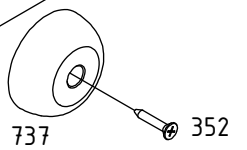
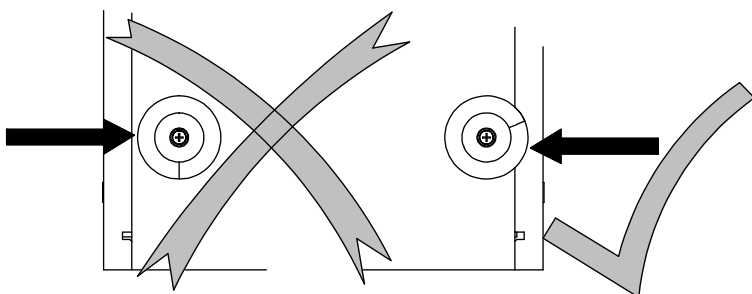


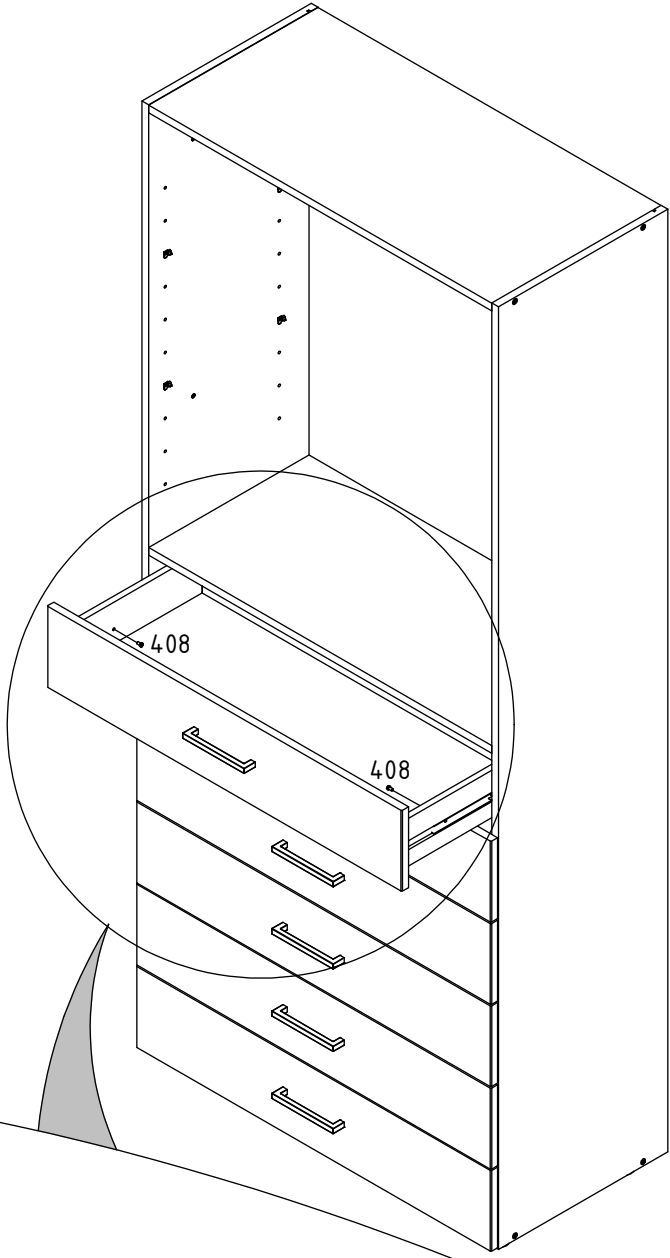


2x



6x





6x

