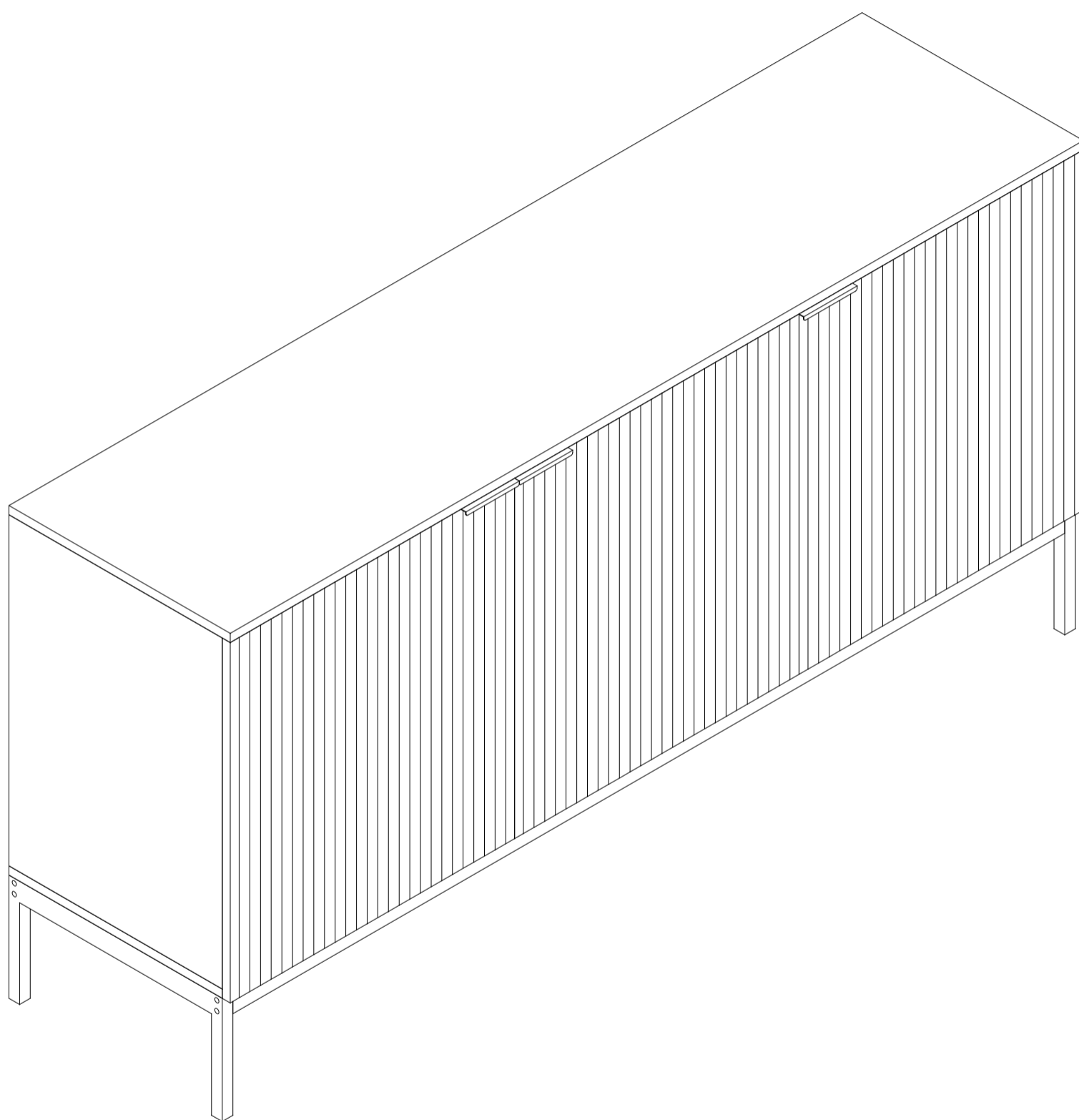
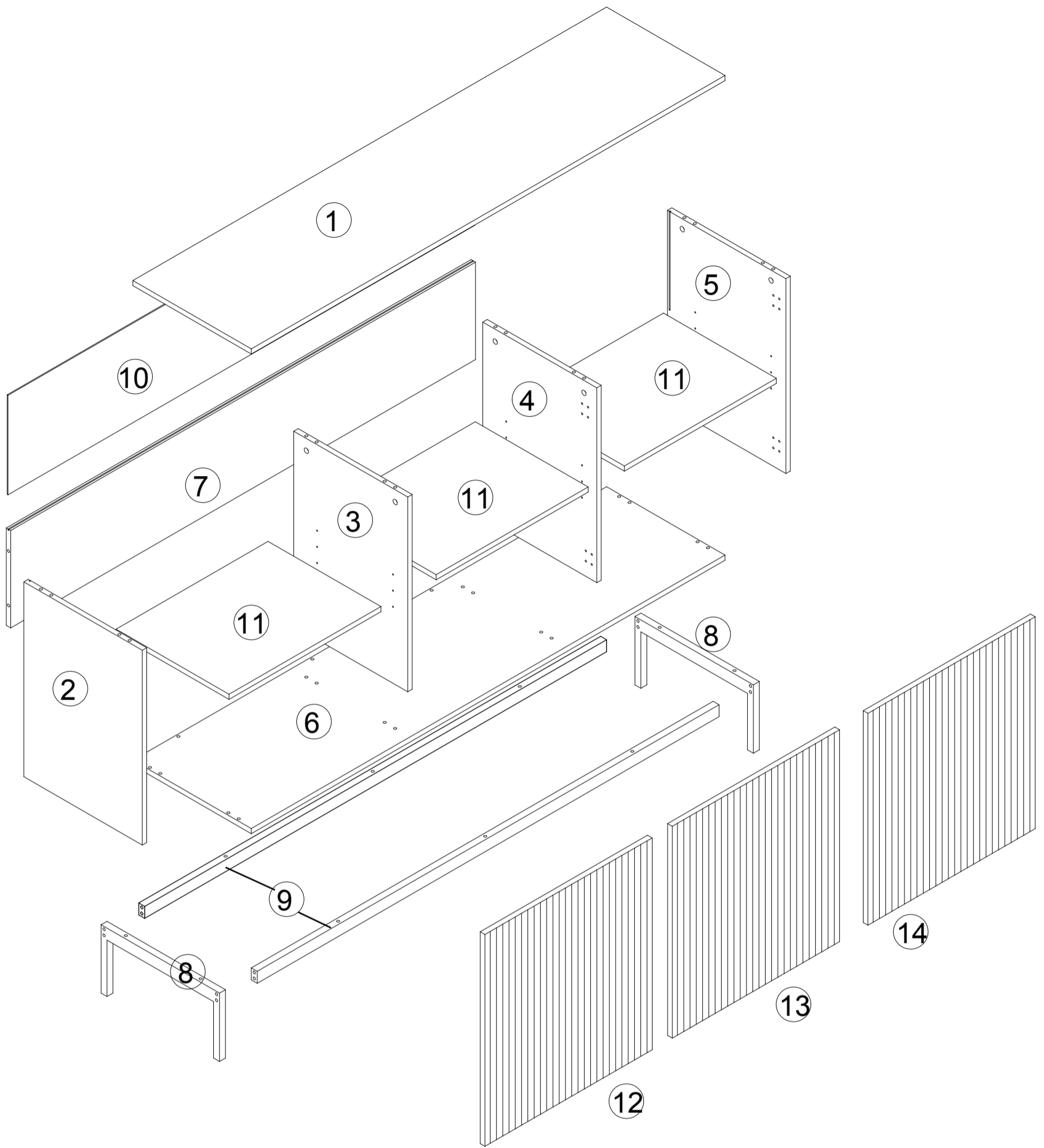
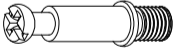
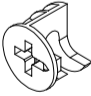
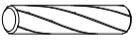
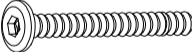

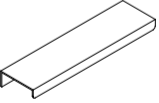
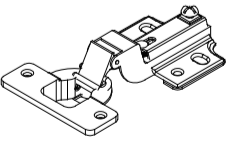
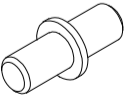
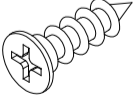
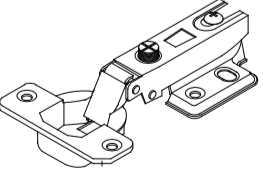
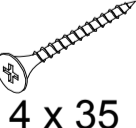
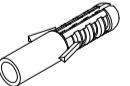

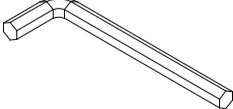


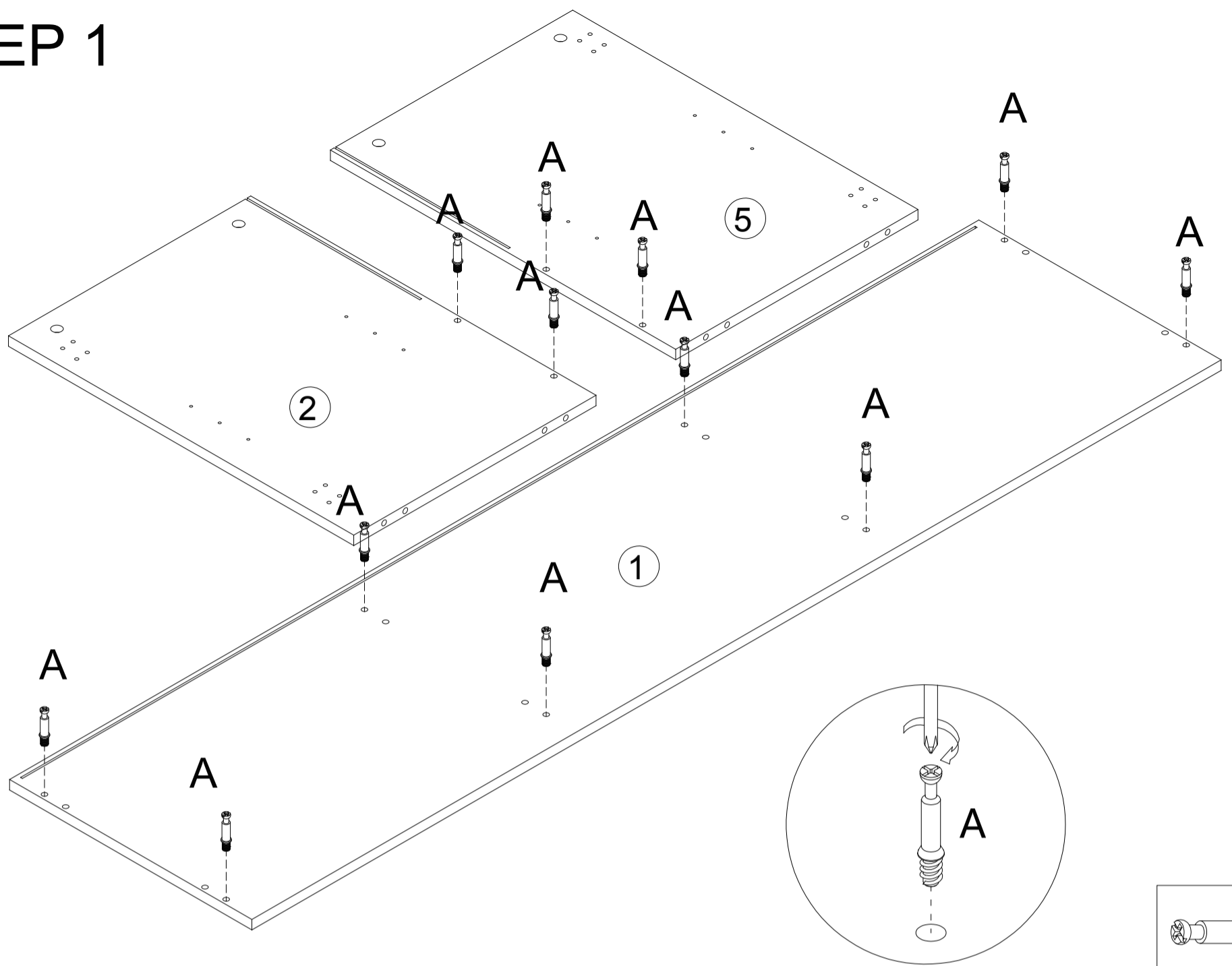
ASSEMBLY INSTRUCTION



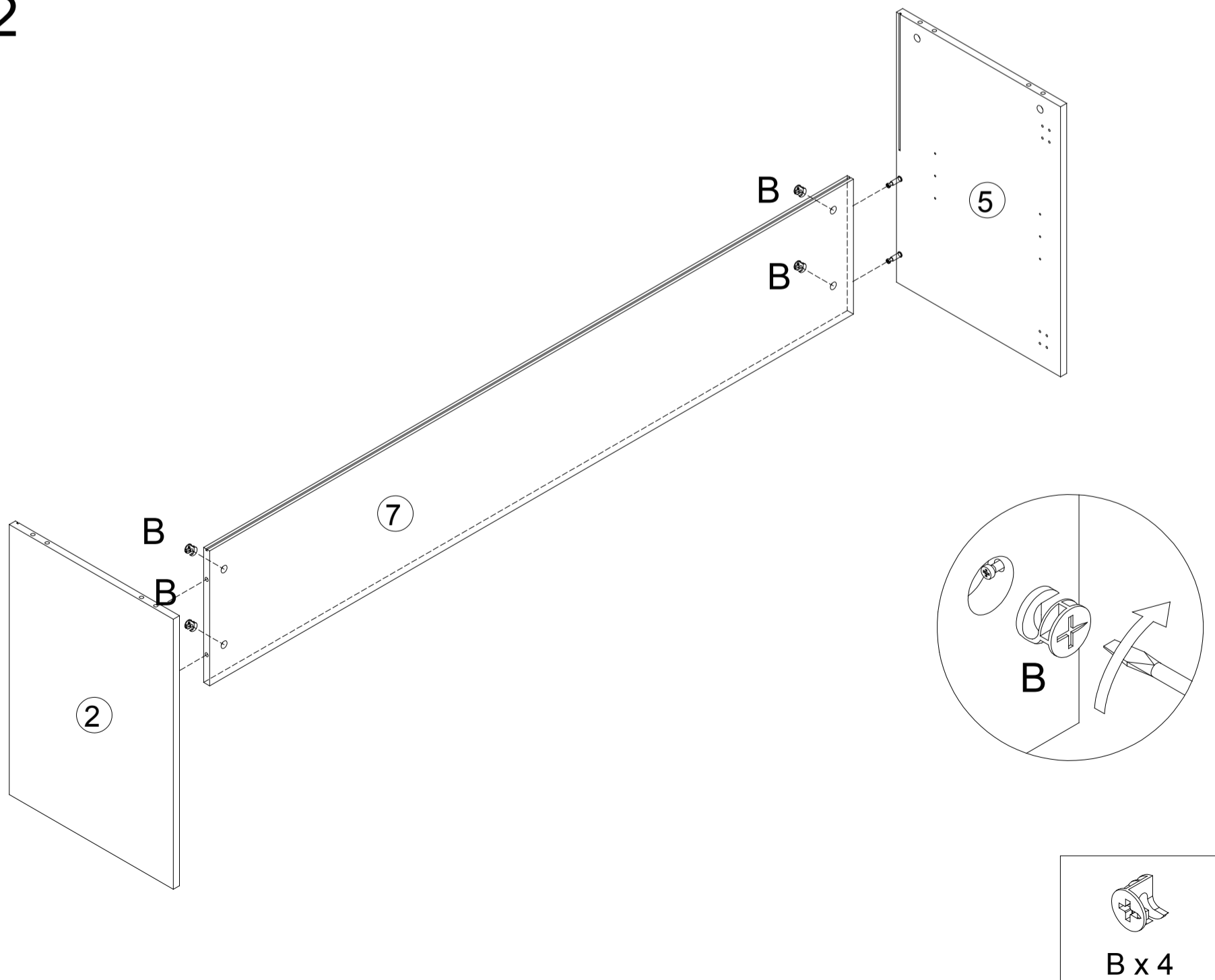


 A x 12	 B x 12	 C x 16	 M6 x 40 D x 18	 7 x 38 E x 12	 F x 3
 G x 2	 H x 12	 3.5 x 14 J x 44	 K x 4	 4 x 35 L x 2	 M x 2
 N x 2	 O x 1				

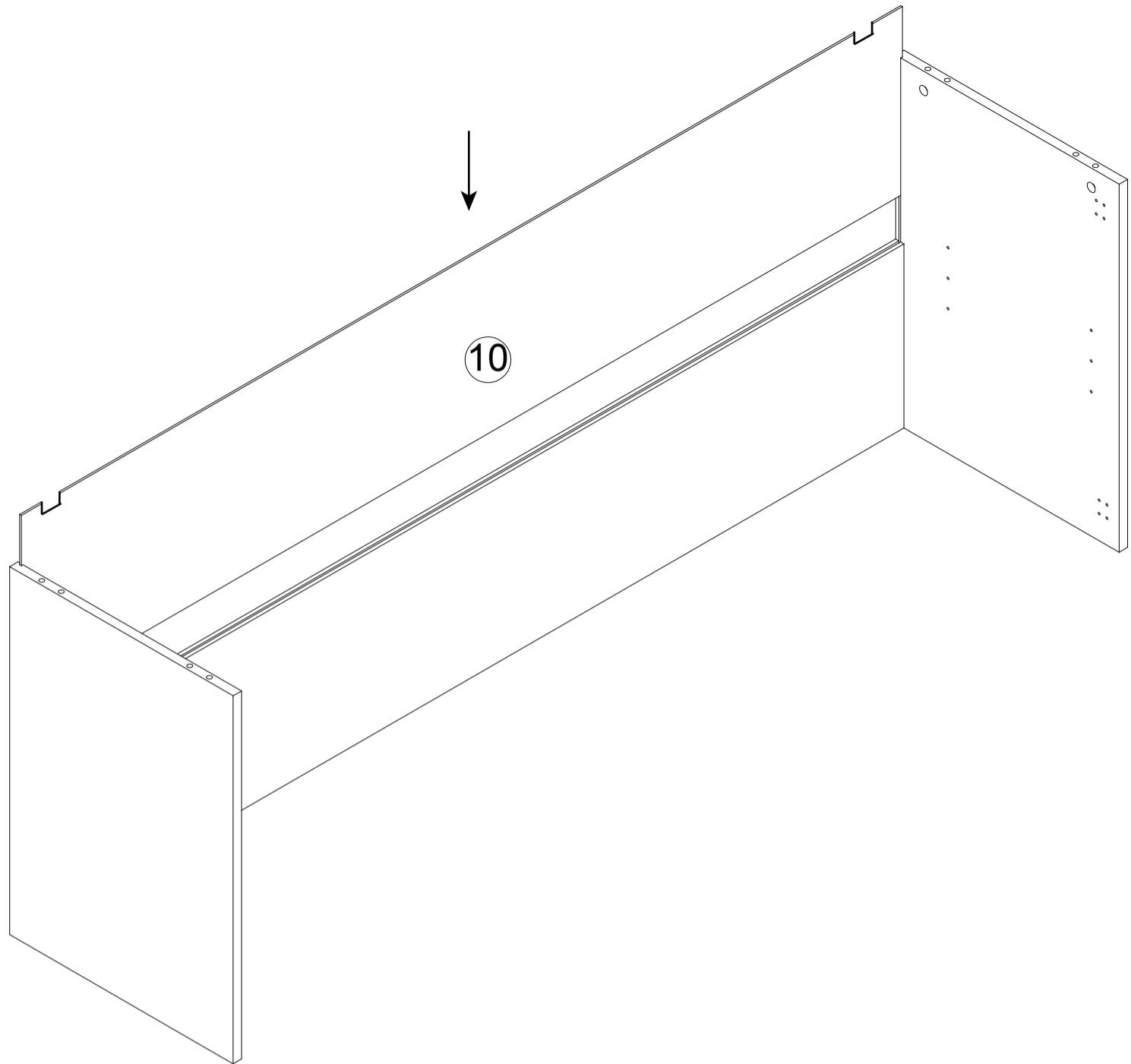
STEP 1



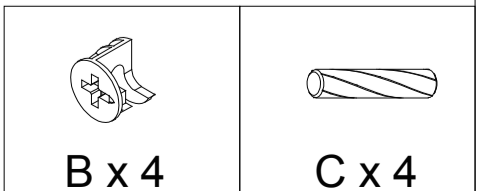
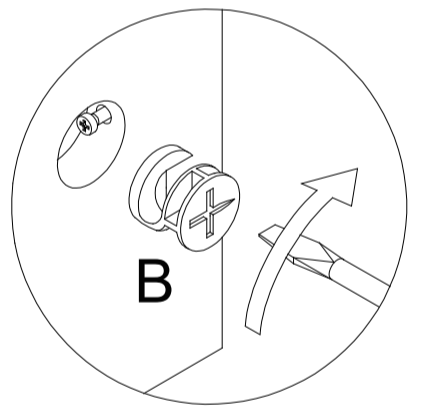
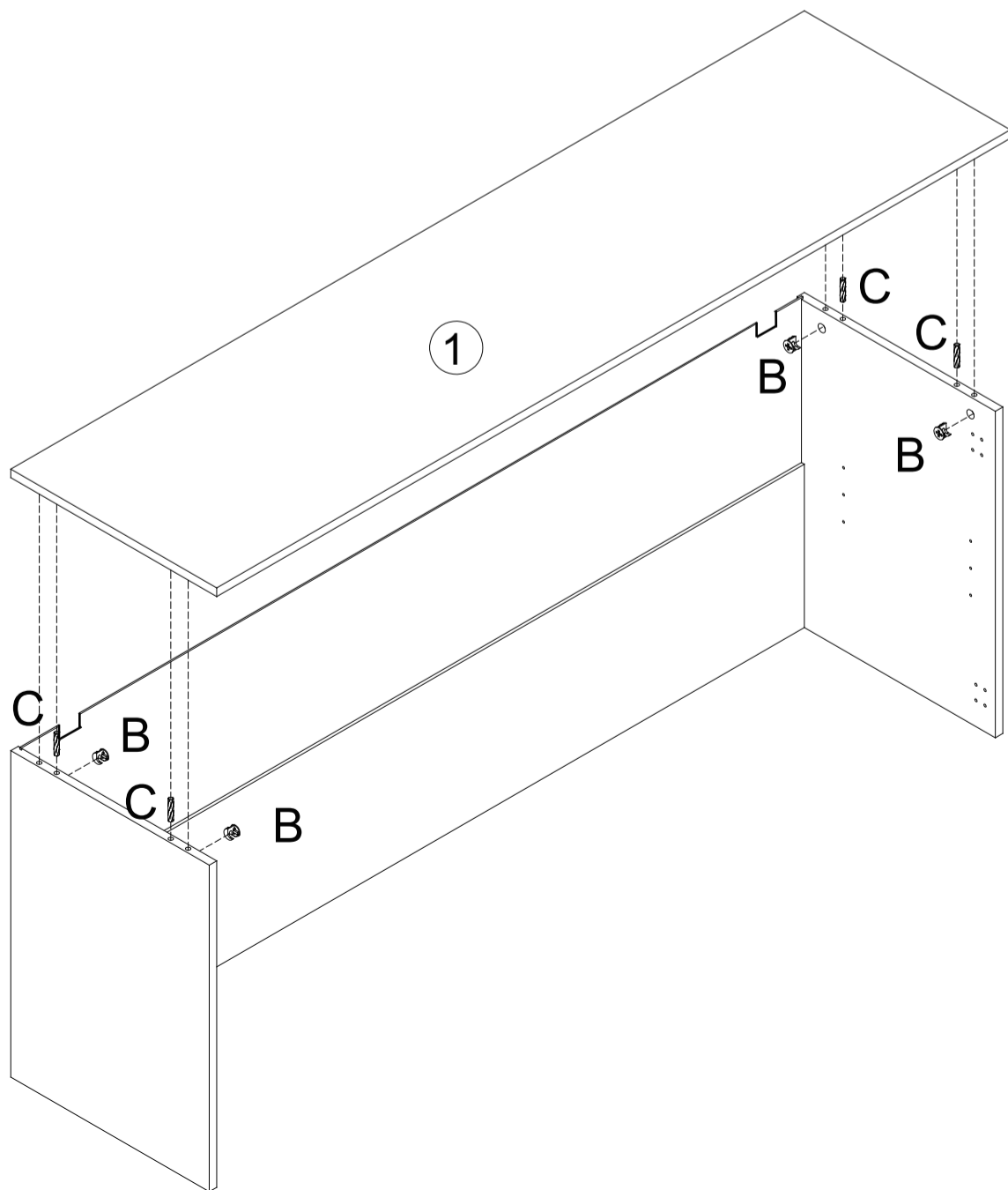
STEP 2



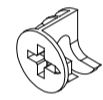
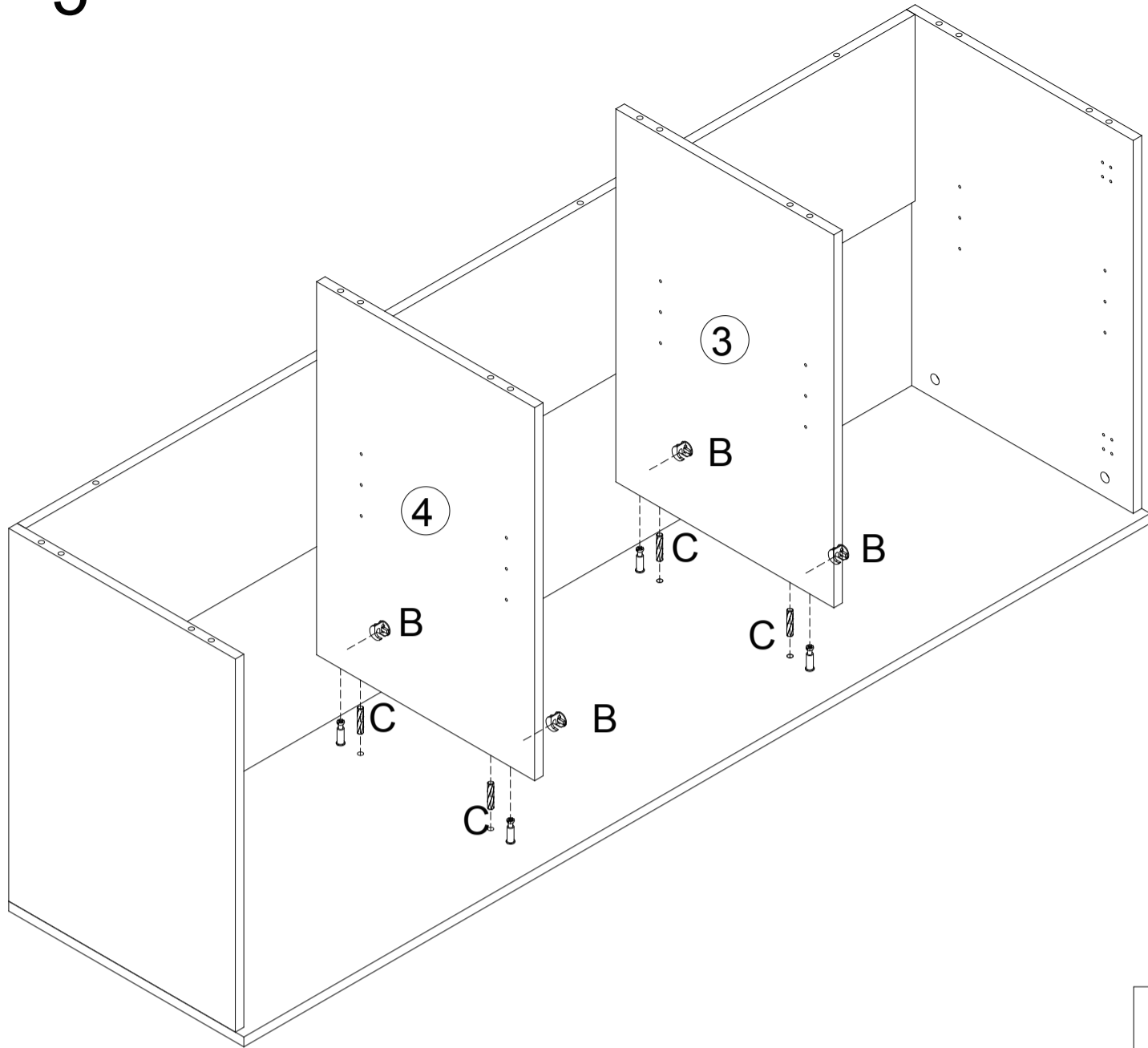
STEP 3



STEP 4



STEP 5

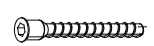
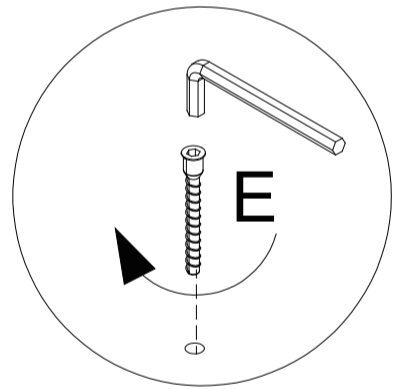
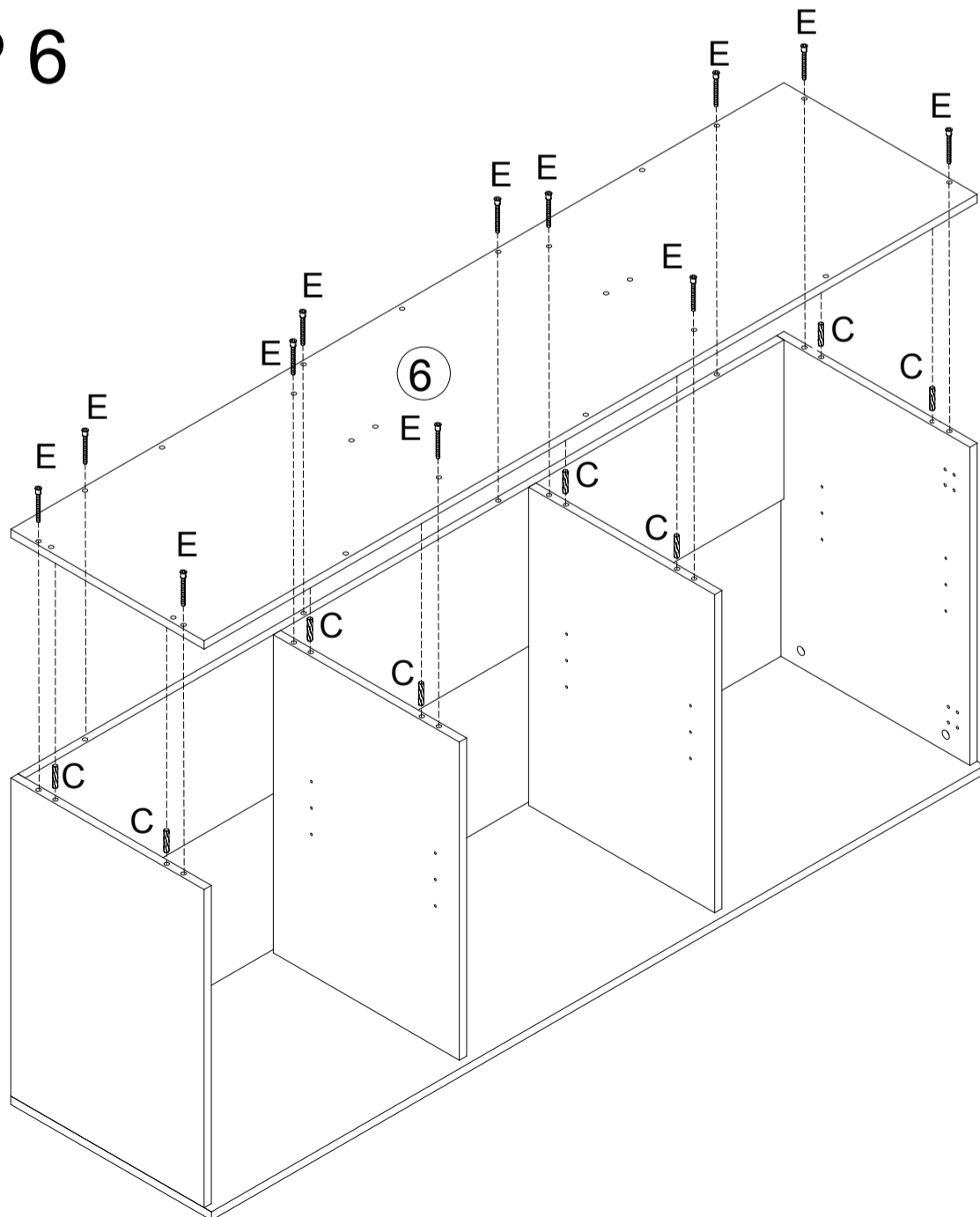


B x 4



C x 4

STEP 6

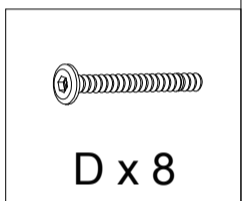
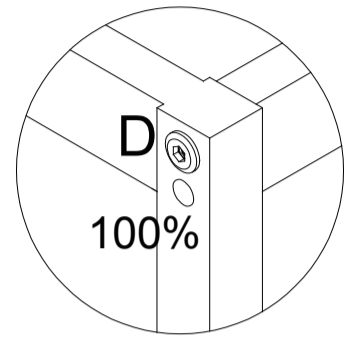
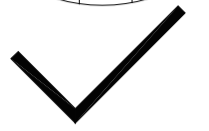
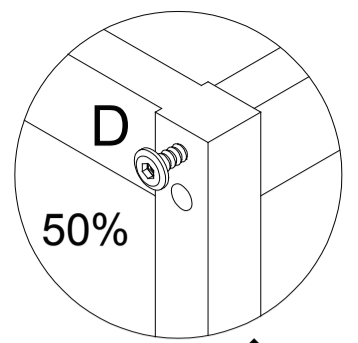
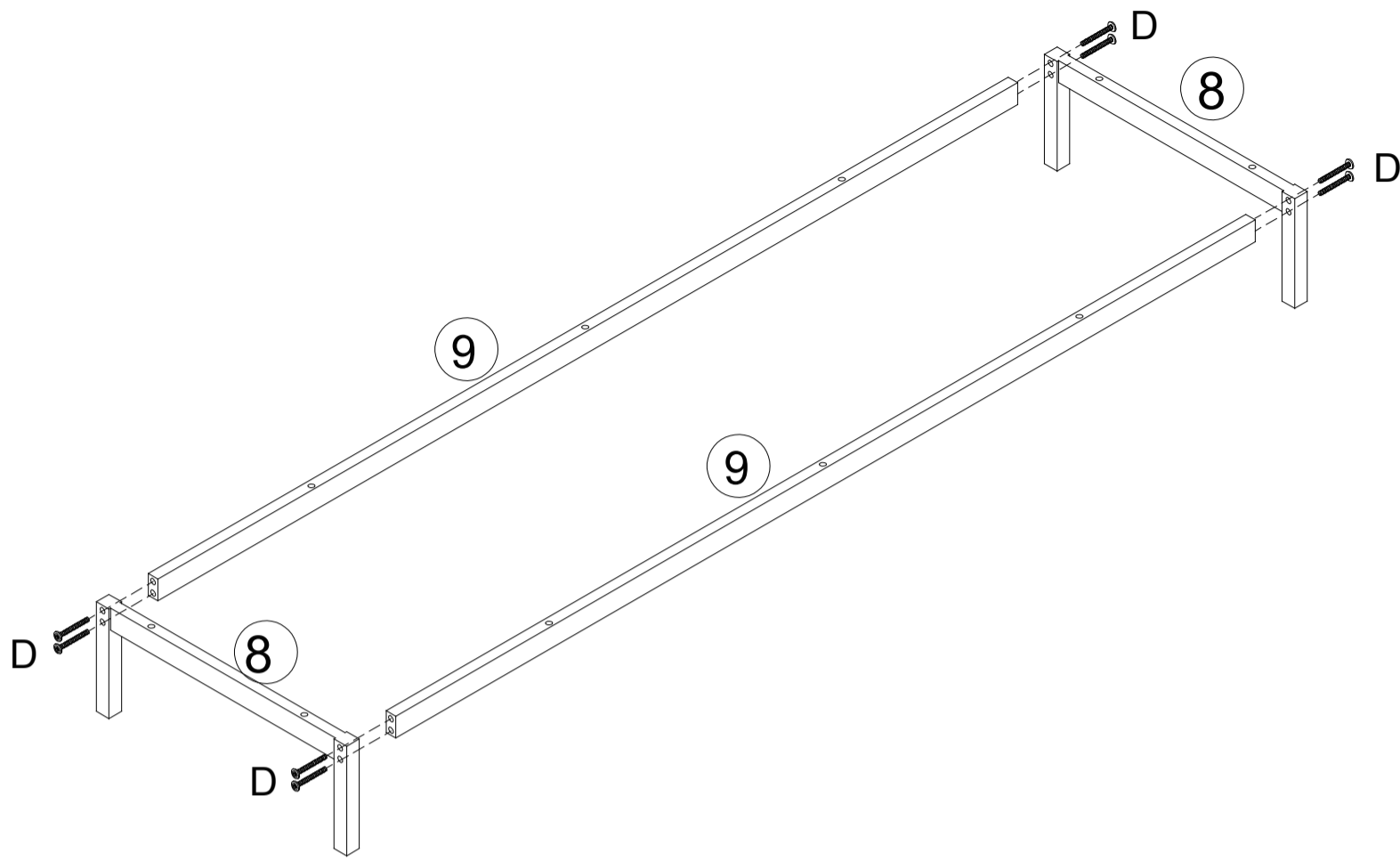


E x 12

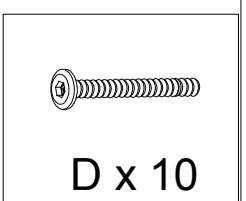
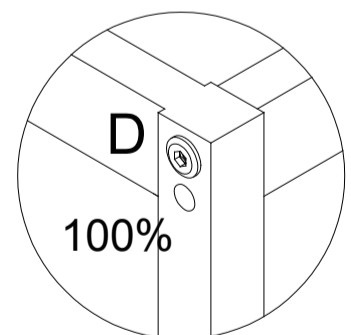
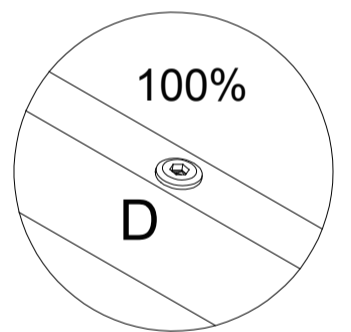
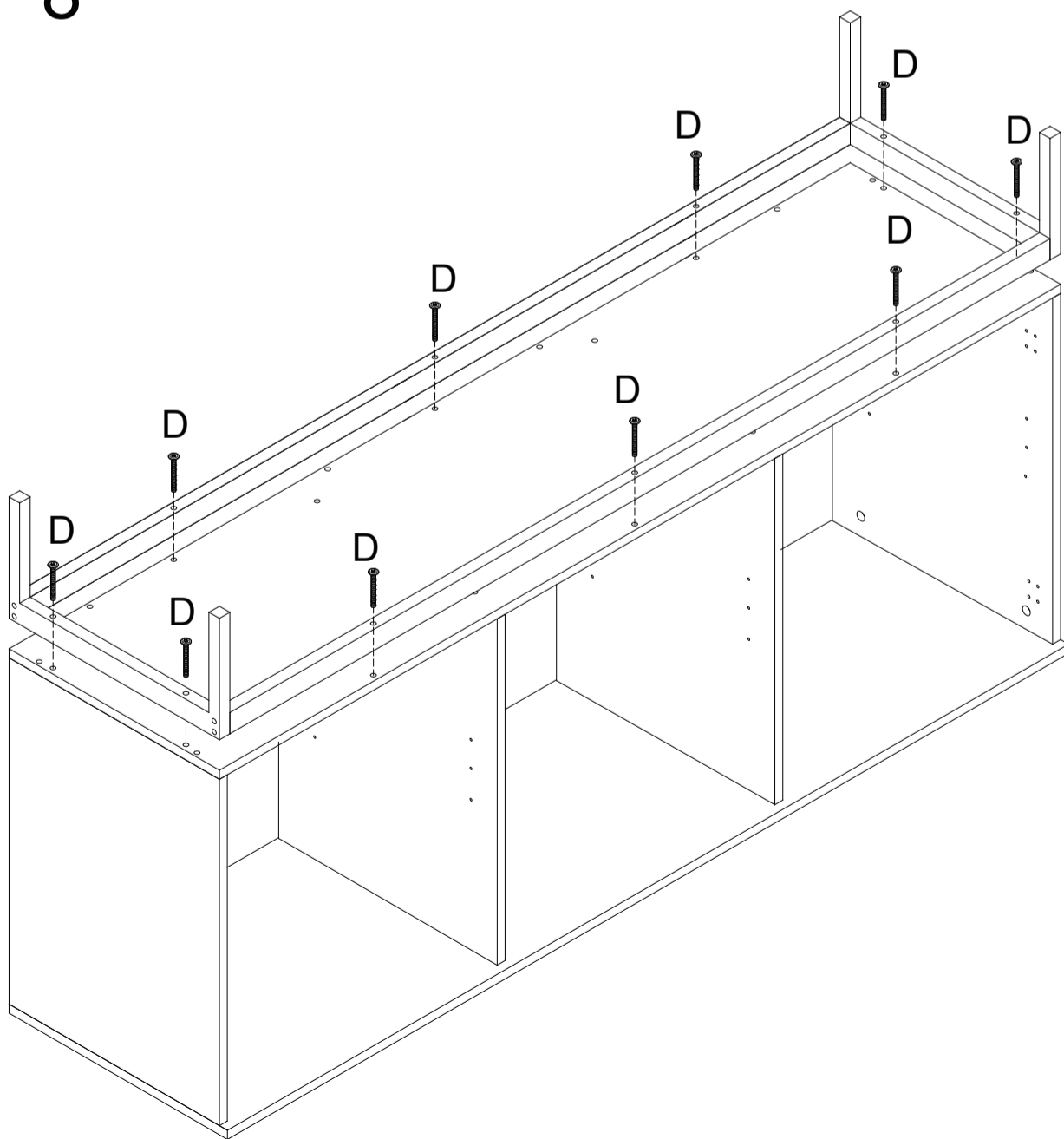


C x 8

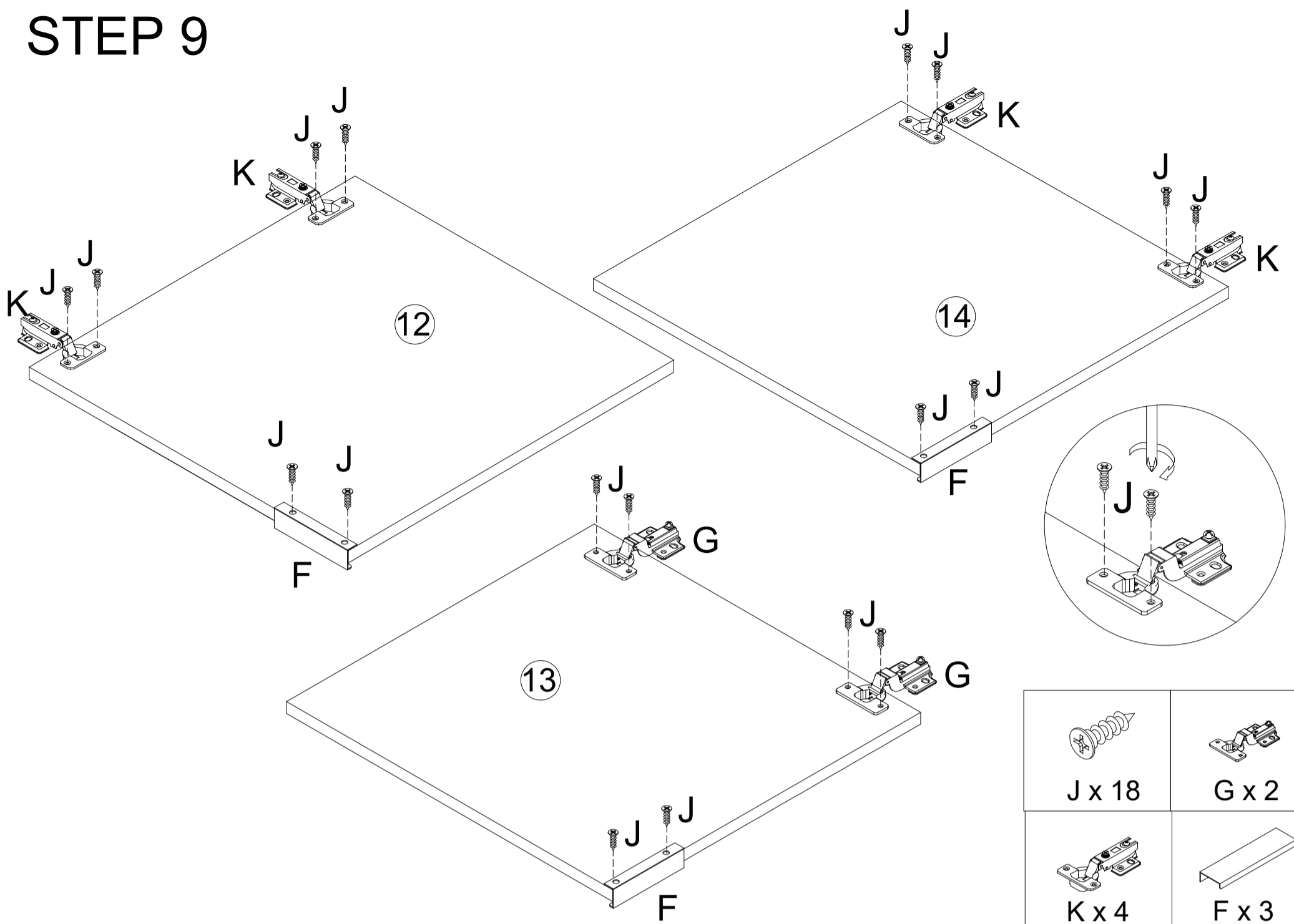
STEP 7

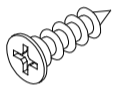

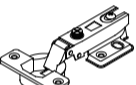
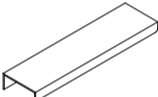


STEP 8

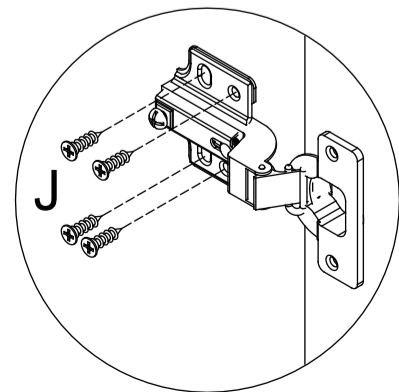
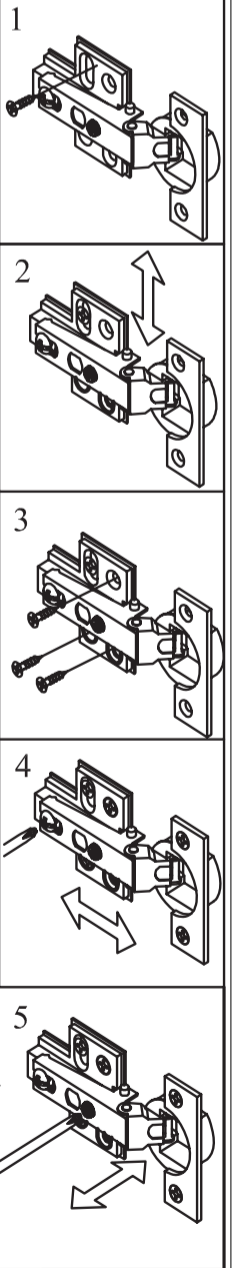
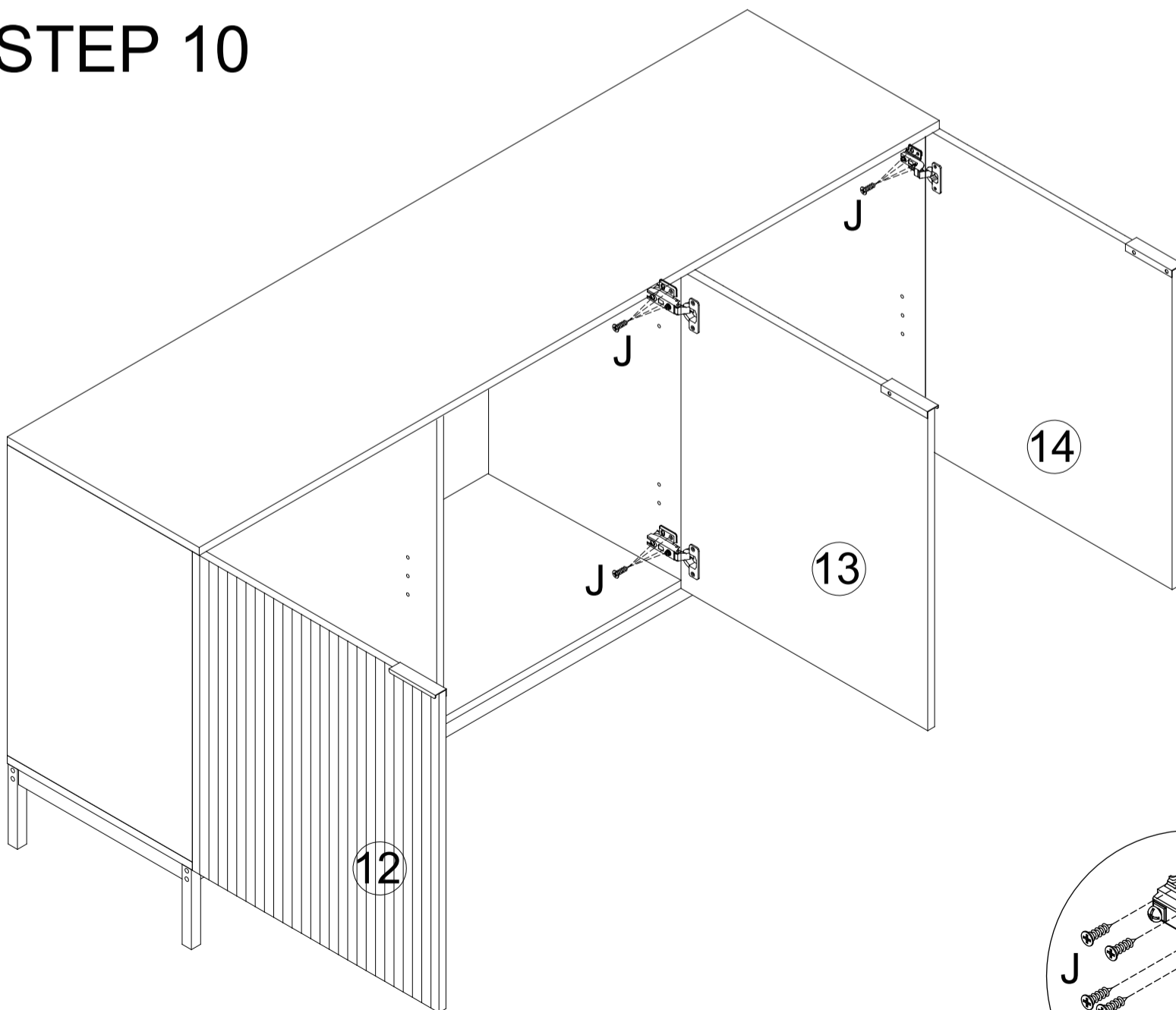


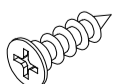
STEP 9



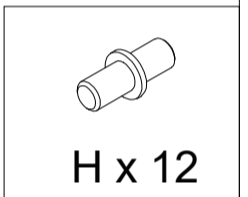
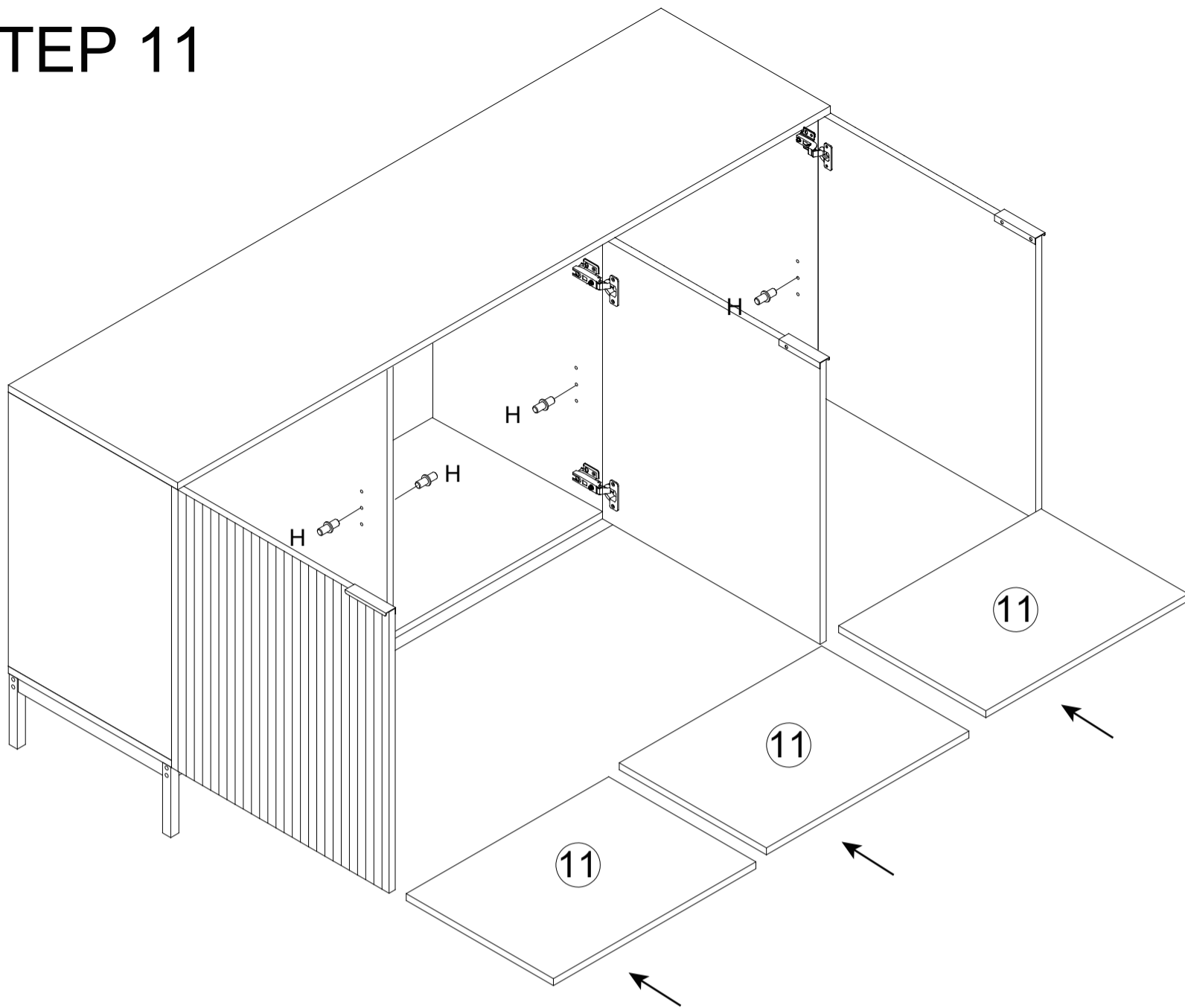
	
J x 18	G x 2
	
K x 4	F x 3

STEP 10

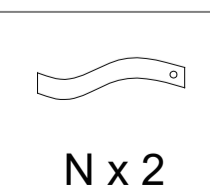
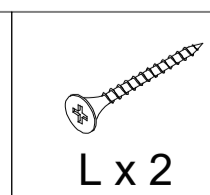
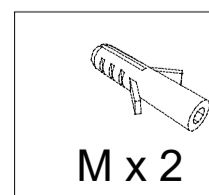
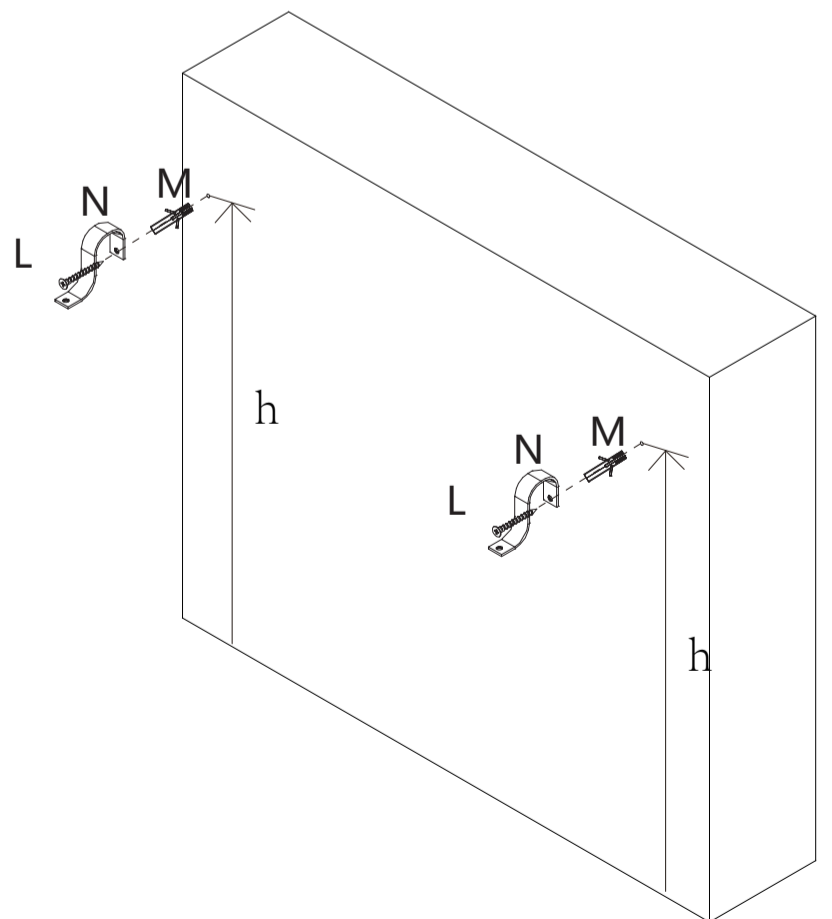
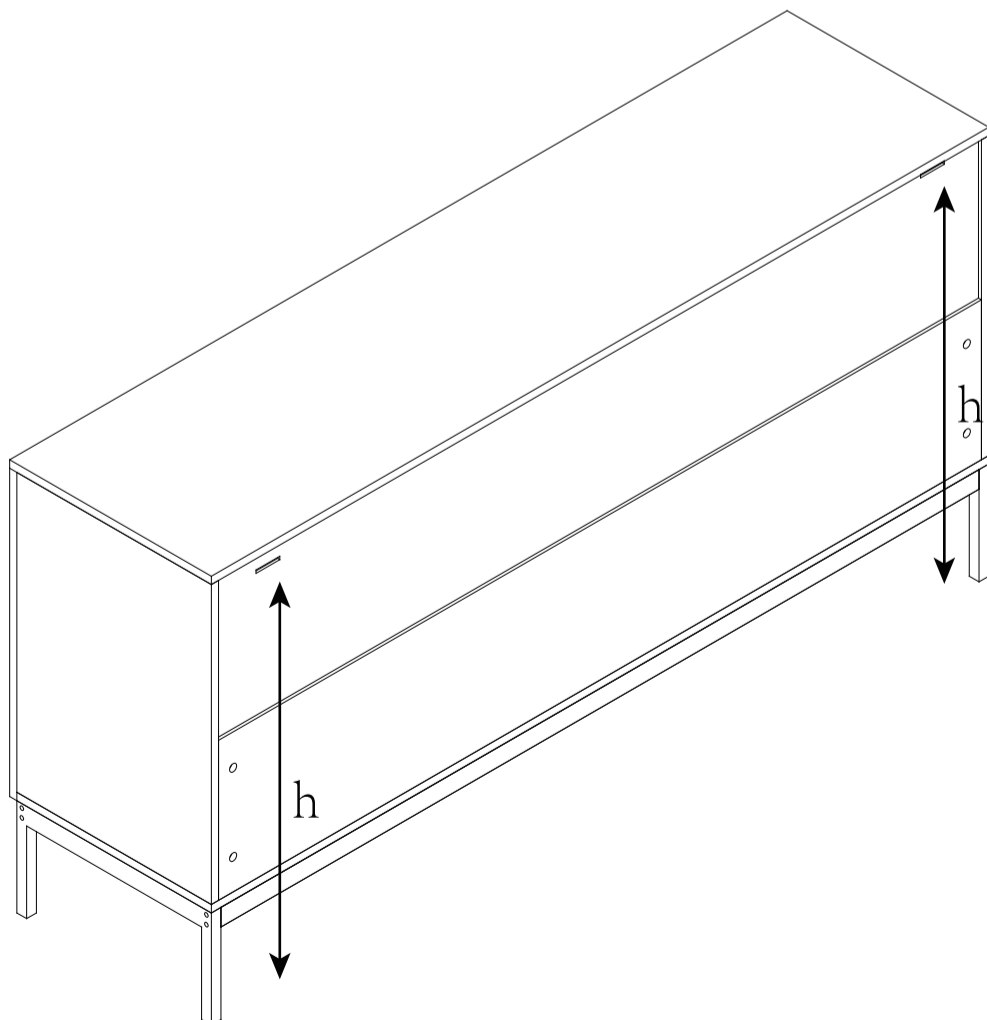



J x 24

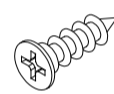
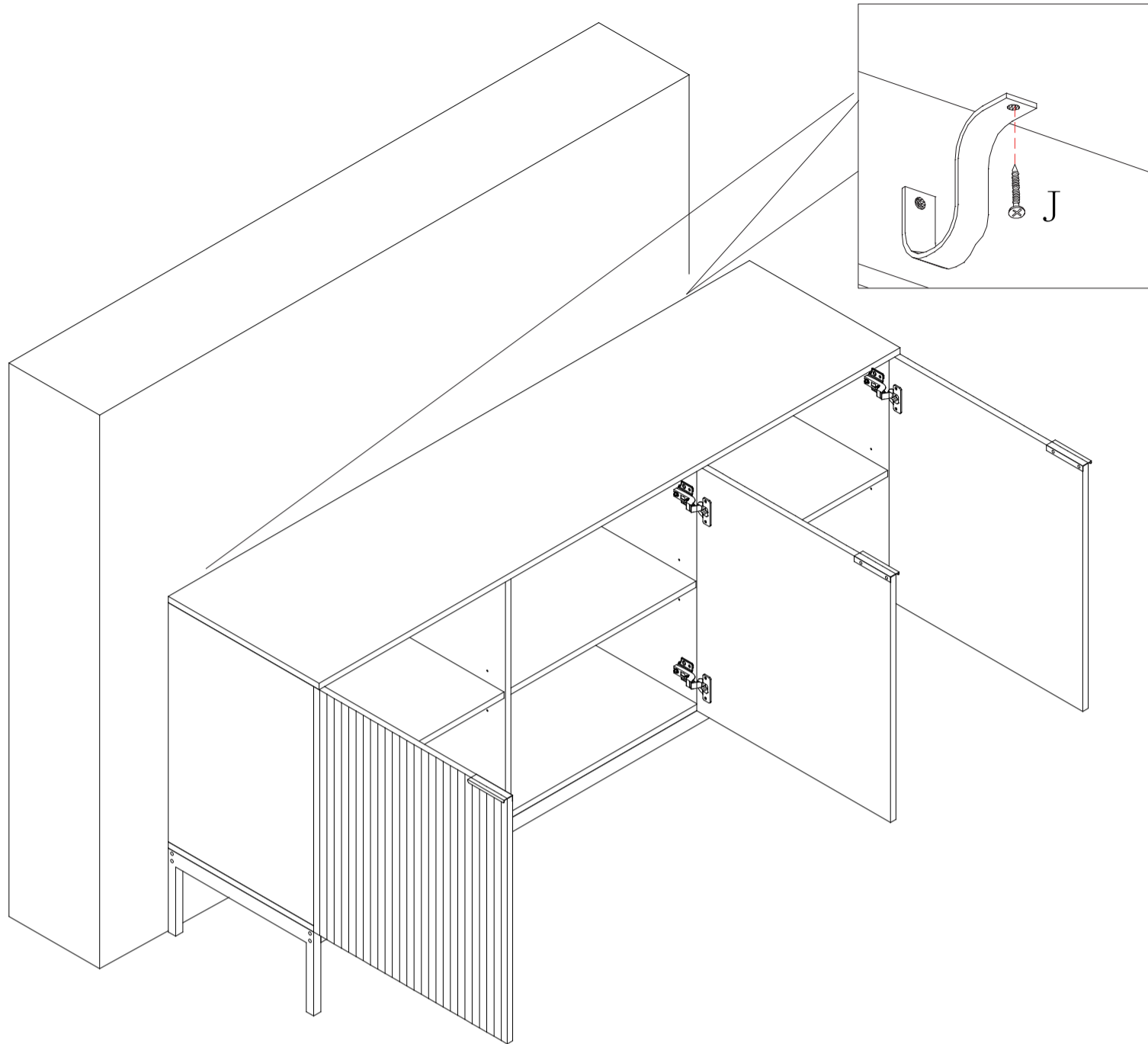
STEP 11



STEP 12



STEP 13



J x 2