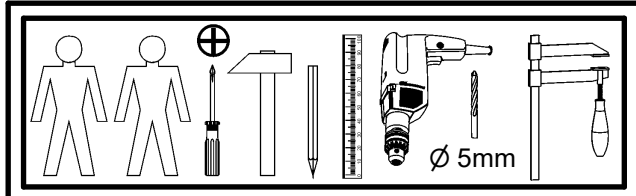
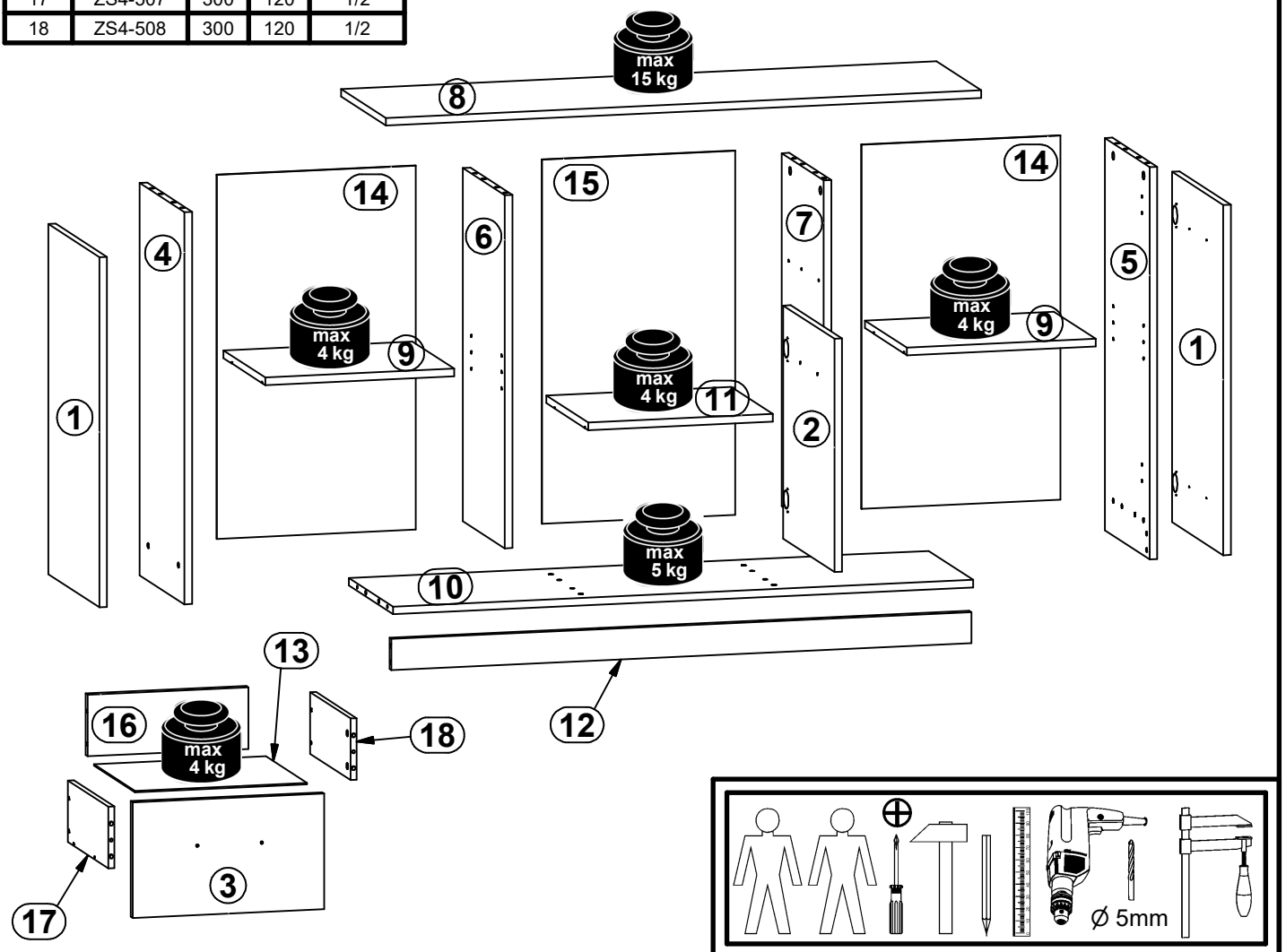
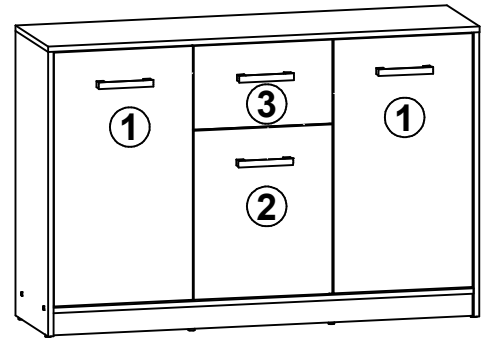
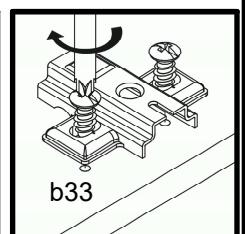
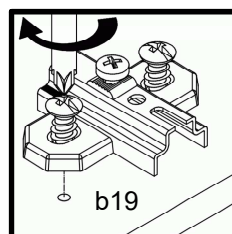
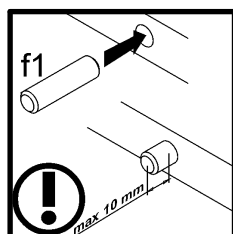
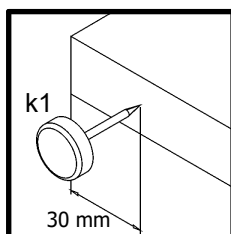
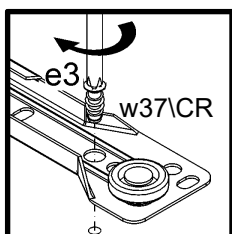
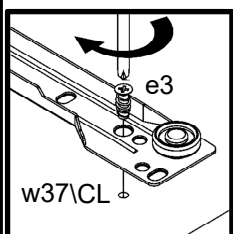
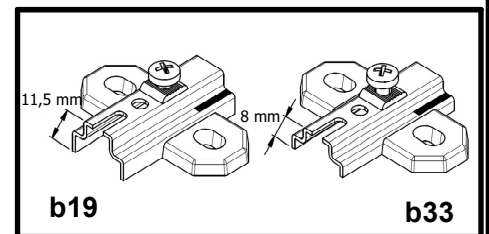
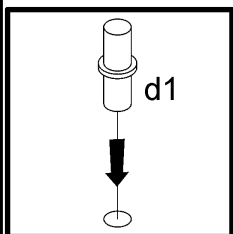
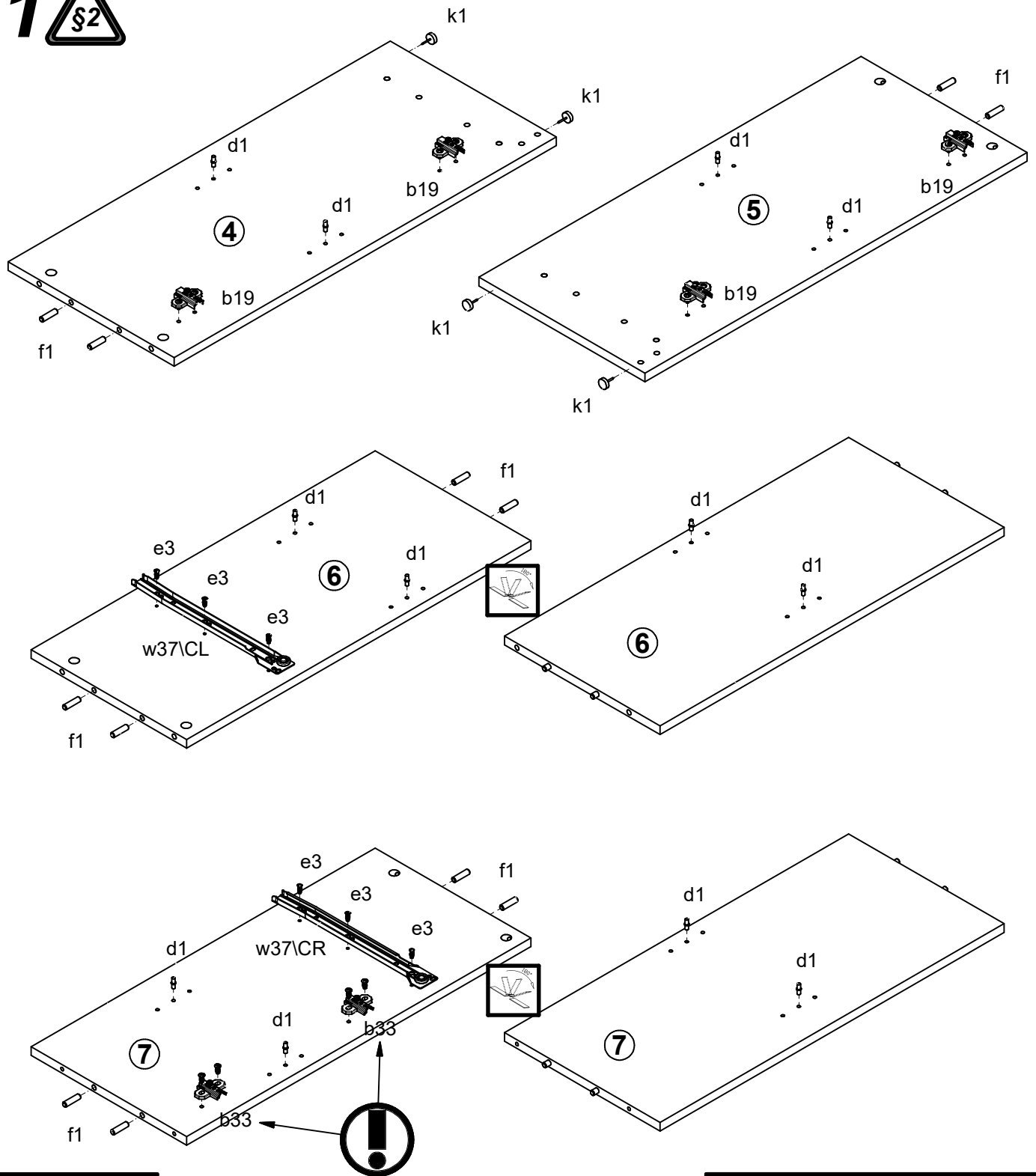


A	B	C	D	
1	S414-0001	682	380	1/2
2	S414-0002	454	380	1/2
3	S414-0003	380	225	1/2
4	S414-1001	764	332	1/2
5	S414-1002	764	332	1/2
6	S414-1003	688	311	2/2
7	S414-1004	688	311	2/2
8	S414-2001	1182	333	2/2
9	S414-3001	375	310	2/2
10	S414-3002	1151	329	2/2
11	S414-3003	367	310	1/2
12	S414-4001	1151	61	2/2
13	S414-9001	341	305	1/2
14	S414-9005	709	395	1/2
15	S414-9006	709	383	1/2
16	ZS3-5719	319	120	2/2
17	ZS4-507	300	120	1/2
18	ZS4-508	300	120	1/2

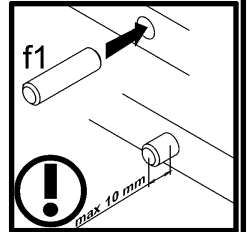
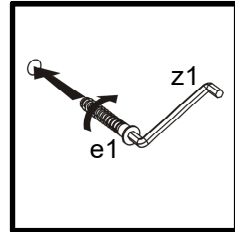
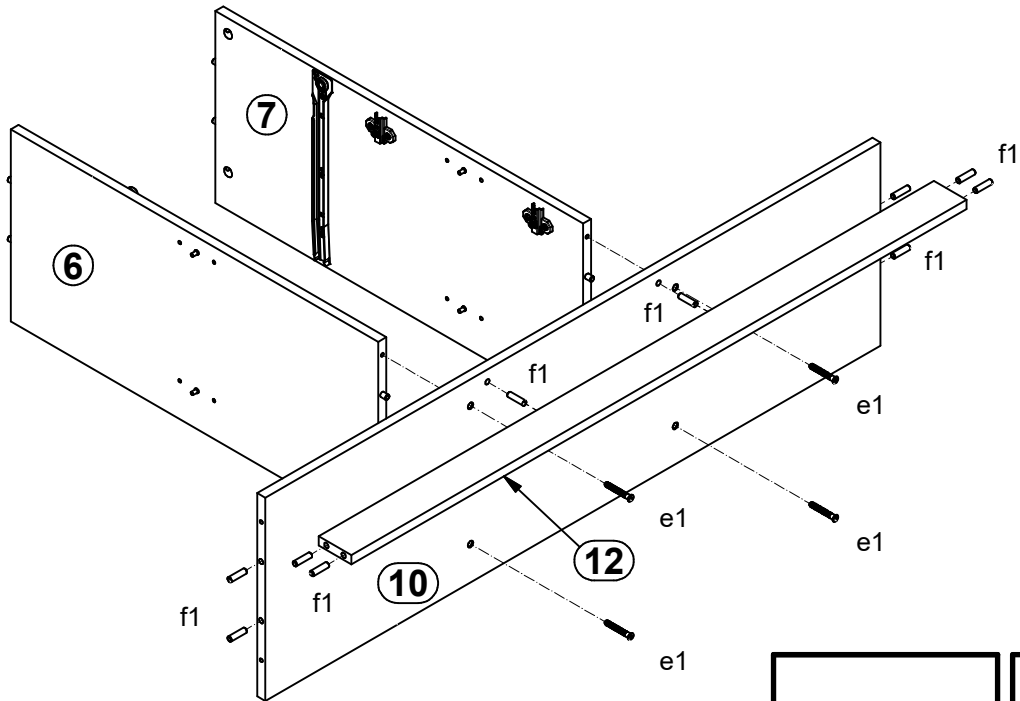


4x K16 a43	2x K3.5 a68	4x b19	2x D1.5 b33	4x c197 128 mm	12x d1 Ø5x17 mm	8x e1 Ø7x50 mm	4x e19 Ø5x9 mm	6x e3 Ø6x13 mm
22x f1 Ø8x30 mm	4x f25 Ø6.5x40 mm	2x f9 Ø6x30 mm	6x k1	80x l1 1.4x20 mm	3x p38 Ø3.5x16 mm	12x p51 Ø3.5x15 mm	8x p87 Ø4x25 mm	8x r1 Ø15x12 mm #16
4x r15 Ø12x10.5 mm #12	12x r42 20/11	1x w37\CL 300 mm	1x w37\CR 300 mm	1x w37\DL 300 mm	1x w37\DR 300 mm	4x s1	4x s2 Ø16	1x z1 4 mm
							1x n26\1	1x p38 Ø3.5x16 mm

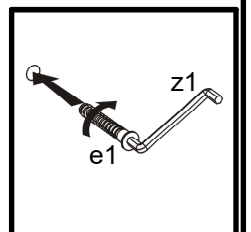
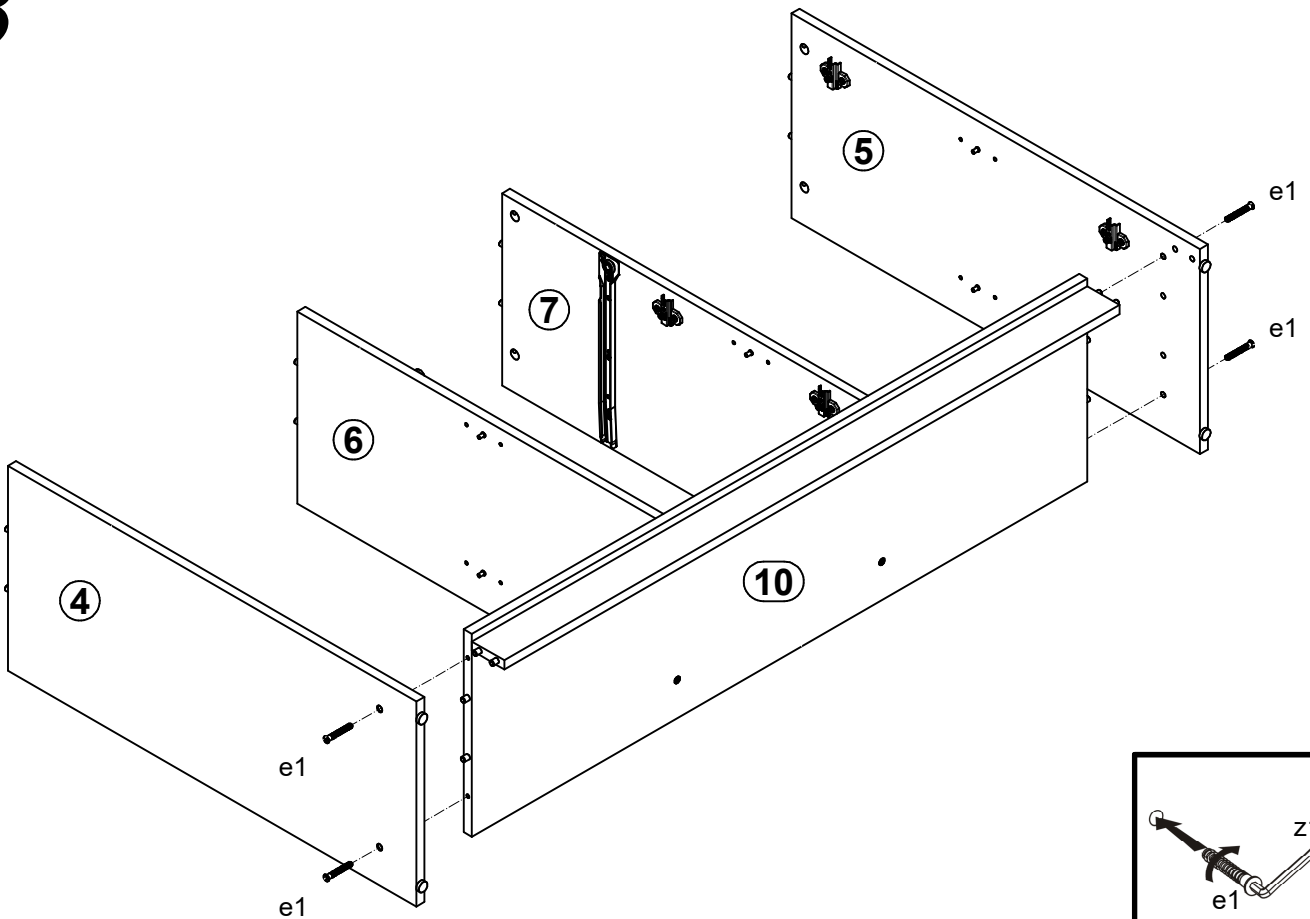
1 



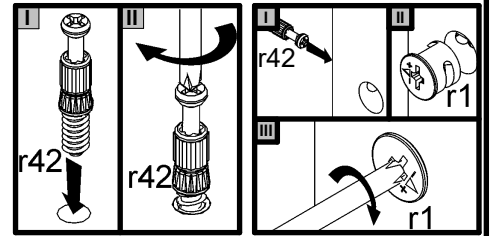
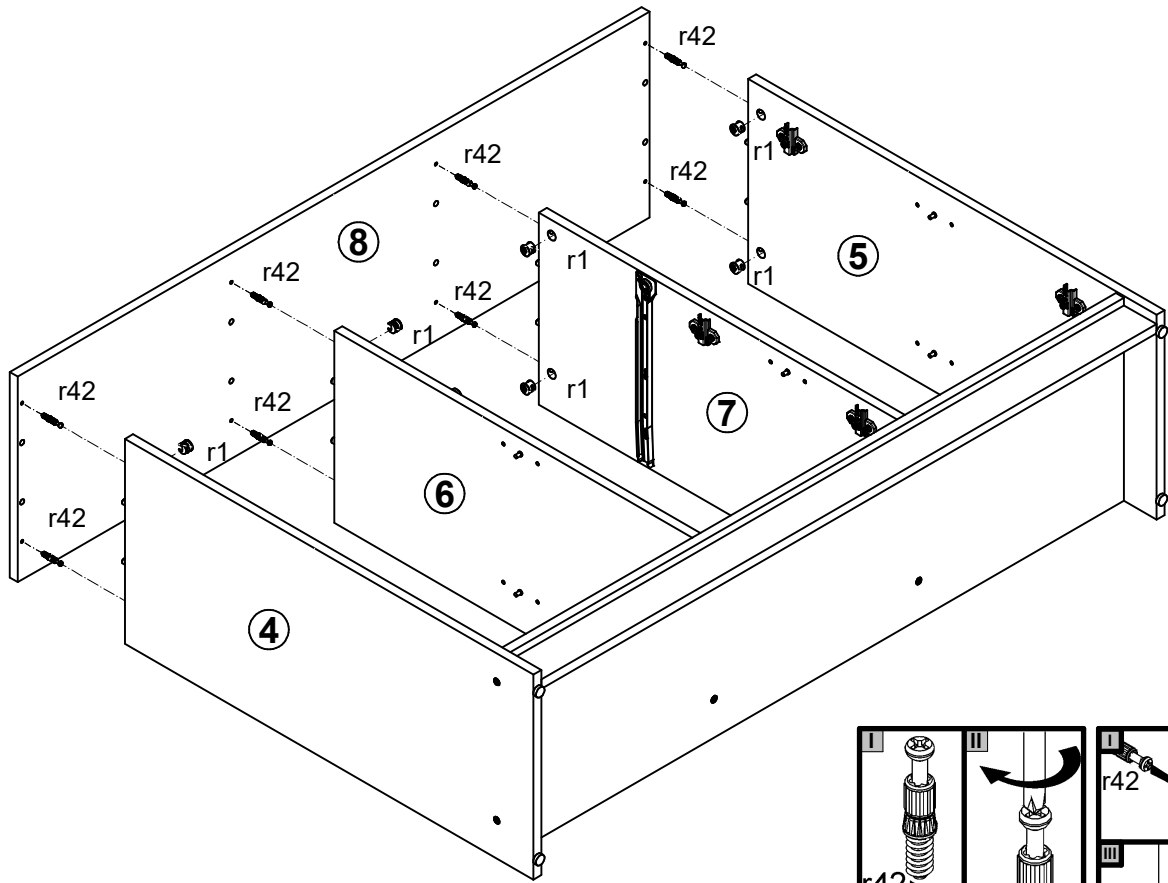
2



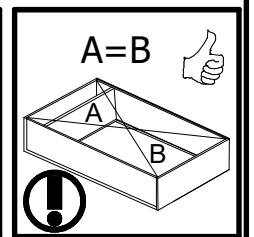
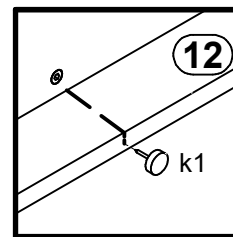
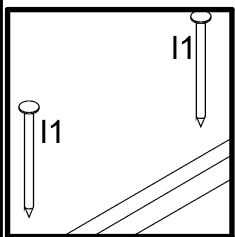
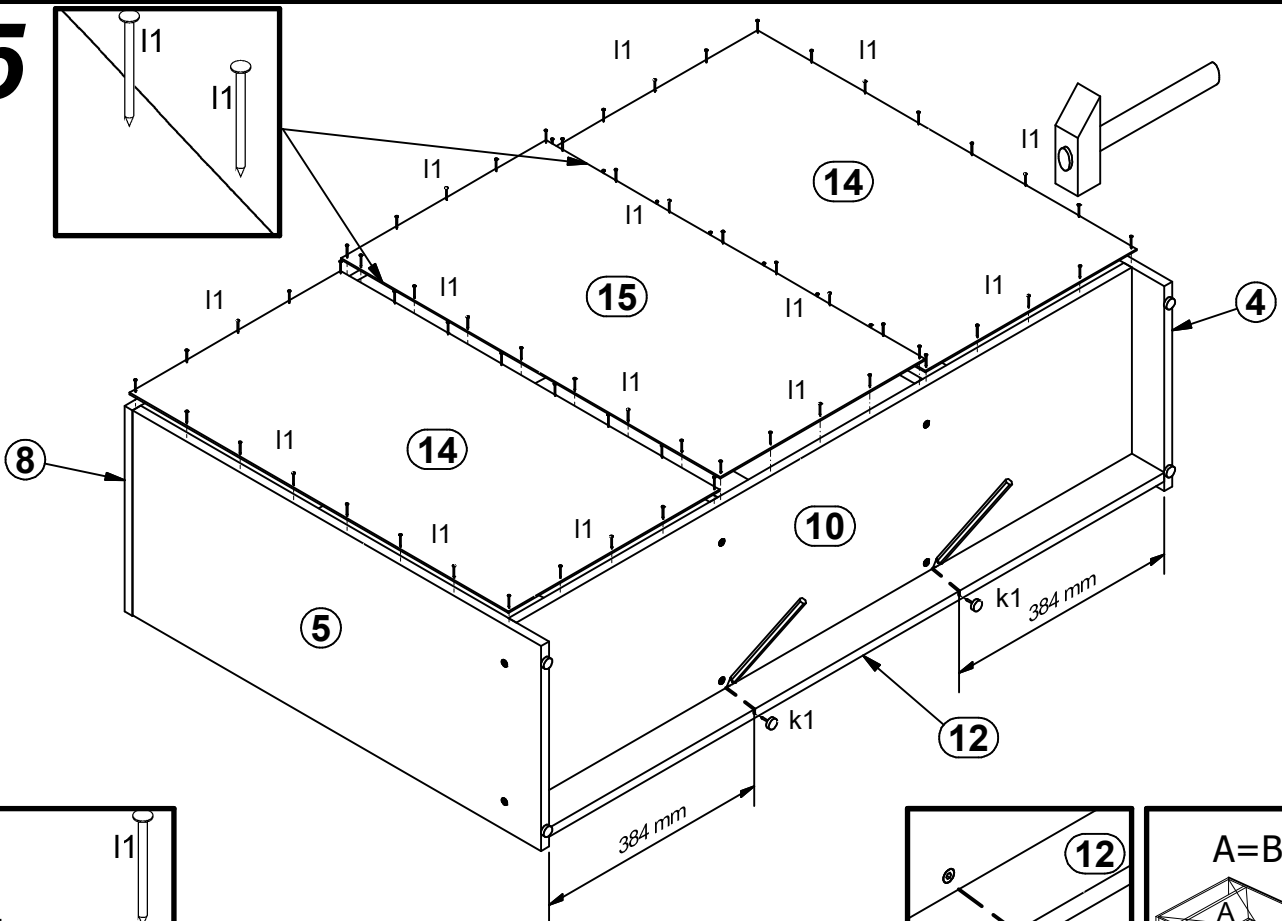
3

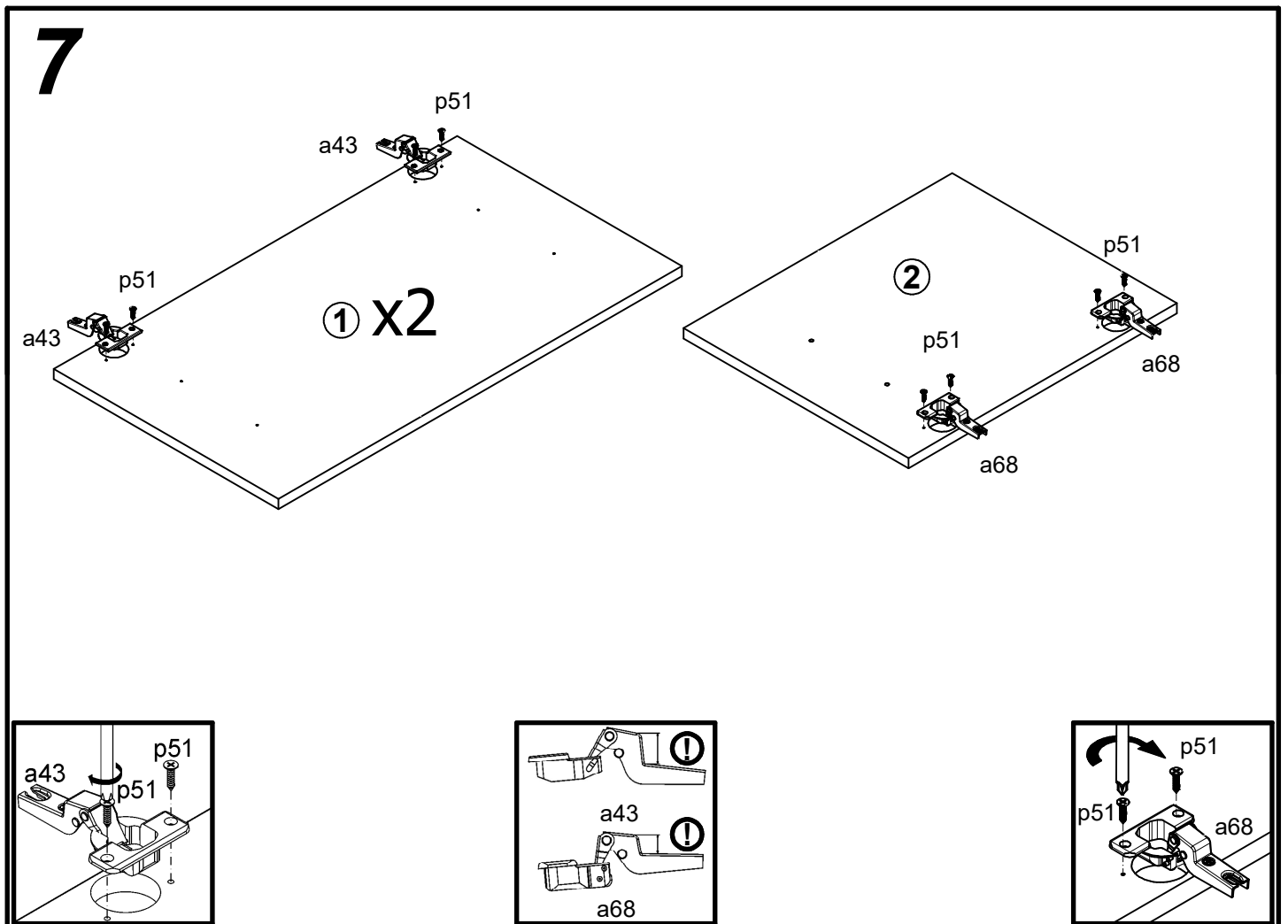
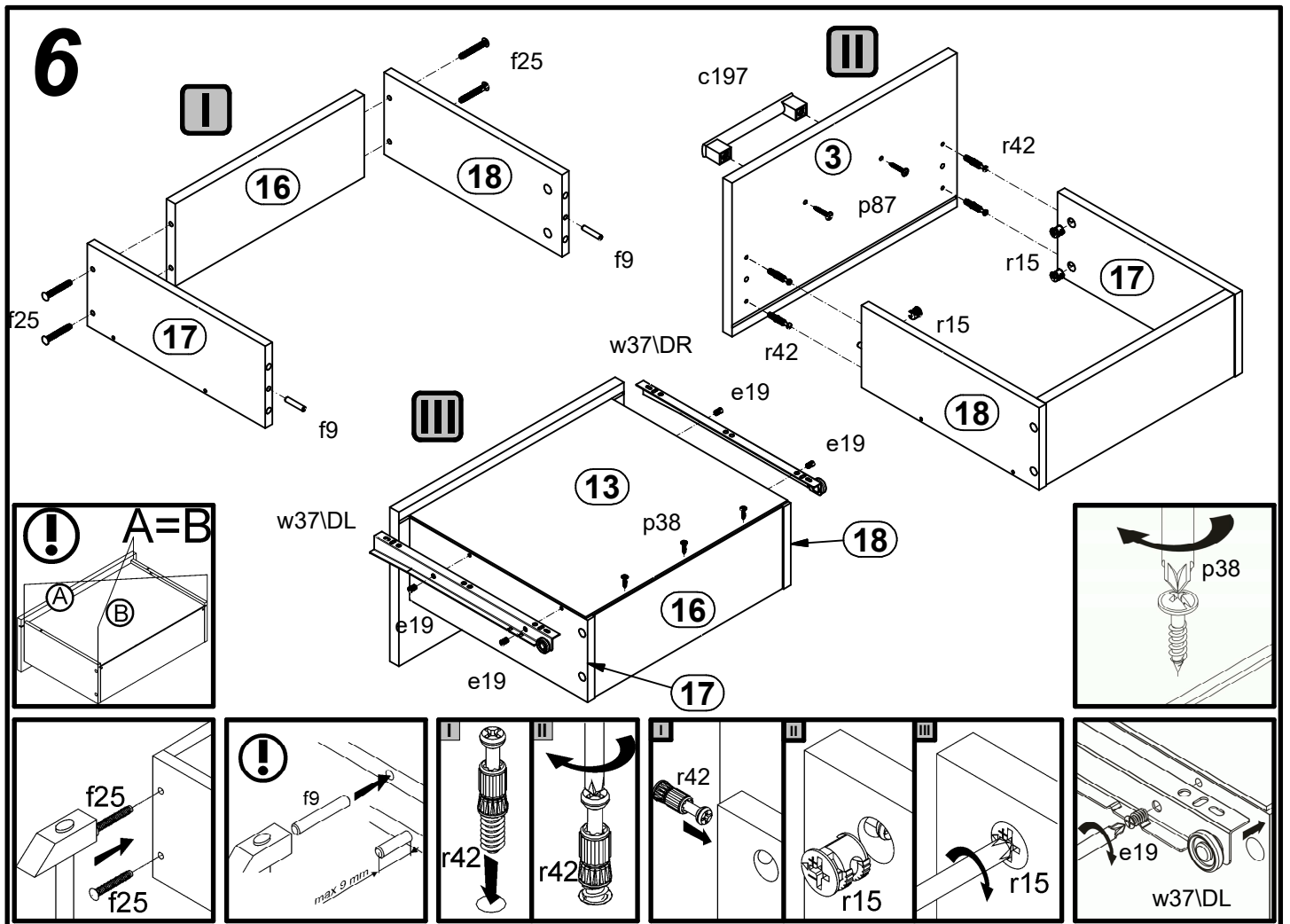


4

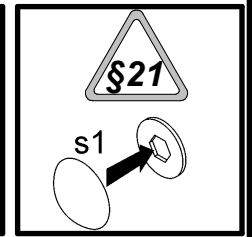
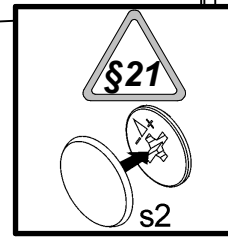
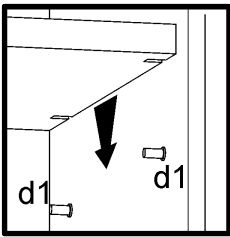
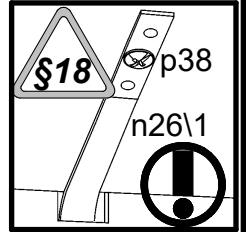
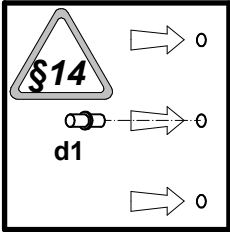
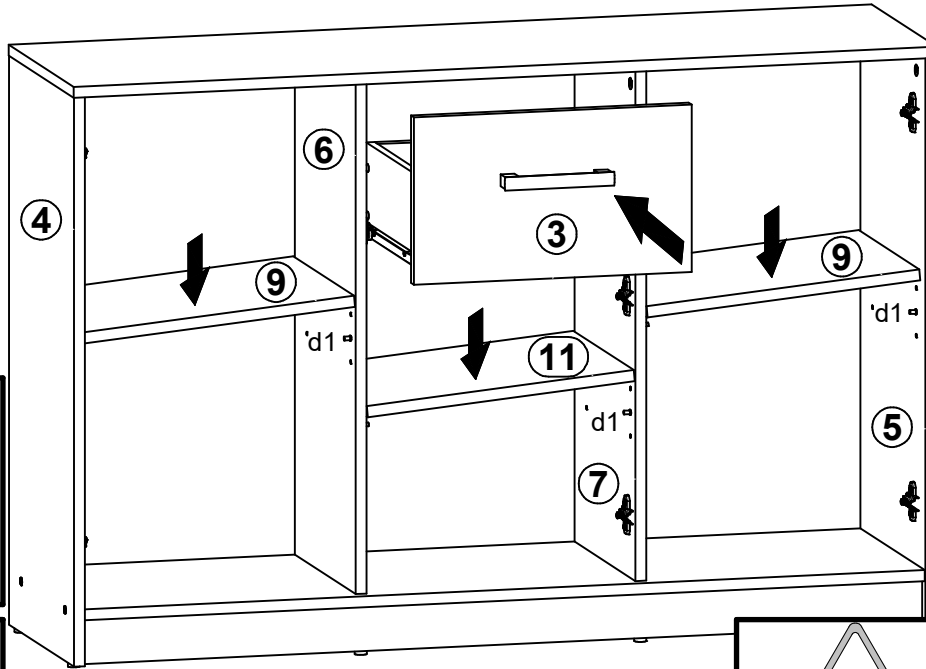


5





8



9

