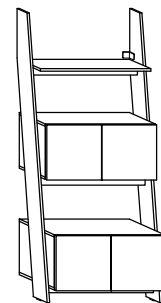


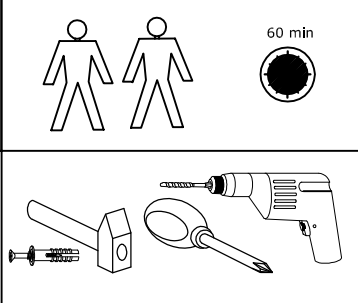


RAC-08 REGAŁ 80-2D

→ 80 ↑ 196 ↘ 39



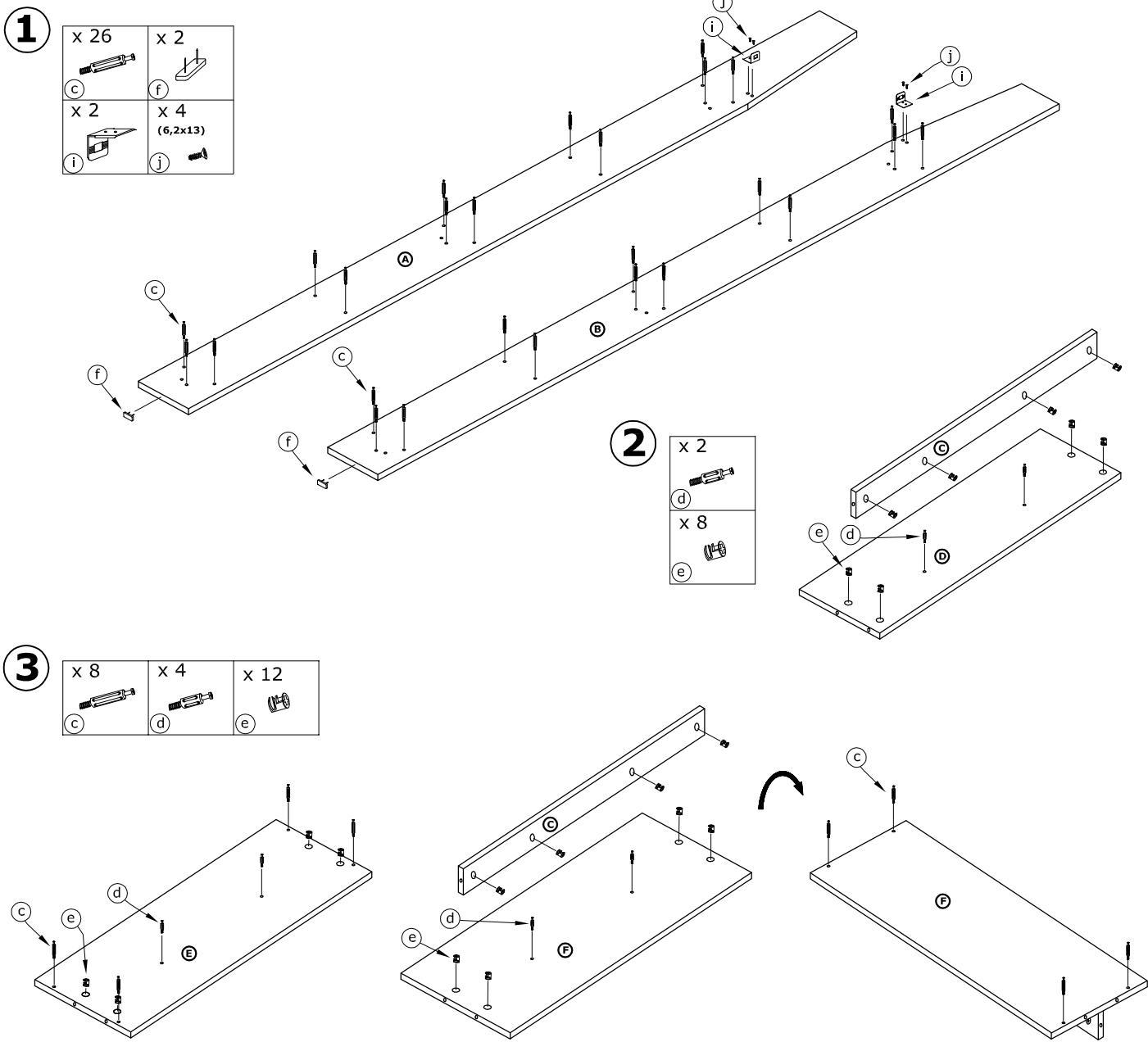
x 2 	x 4 	x 42 	x 10 	x 52 	x 2
x 8 	x 8 	x 2 kpl. 	x 4 (6,2x13) 		
x 16 (3,5x16) 	x 3 (3,5x30) 	x 1 			






1 - FAZY MONTAŻU

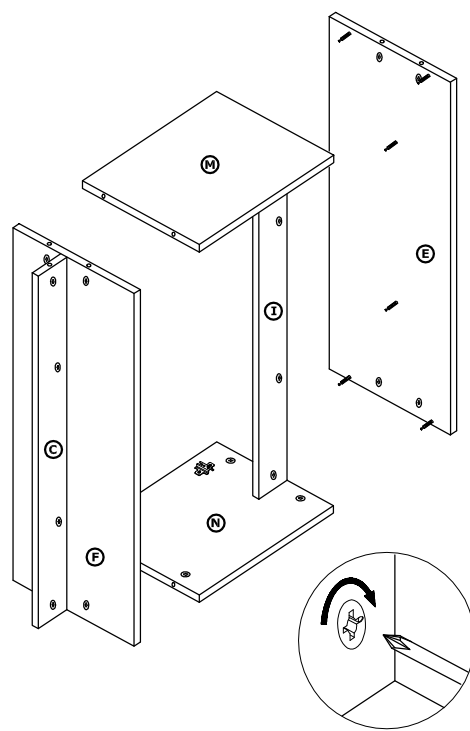
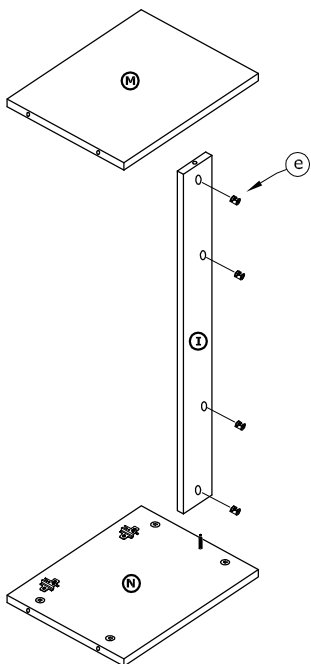
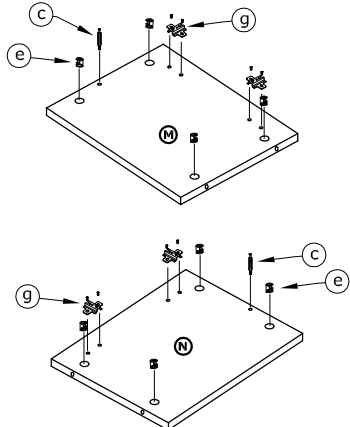
A - OZNACZENIE ELEMENTÓW

a - OZNACZENIE AKCESORIÓW

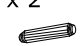

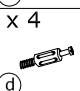
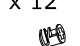


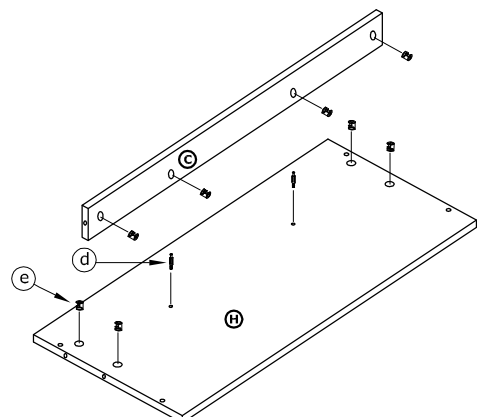
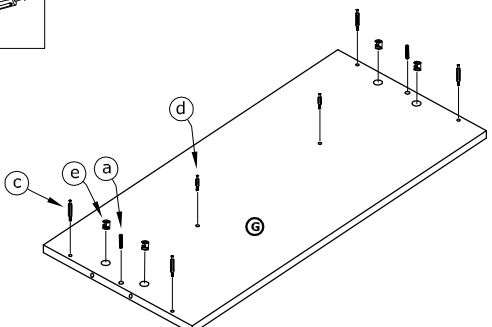
4

- | | |
|------------------------------------------------------------------------------------------|-------------------------------------------------------------------------------------------|
| x 2
 | x 12
 |
| x 4
 | |



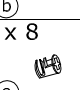
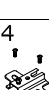


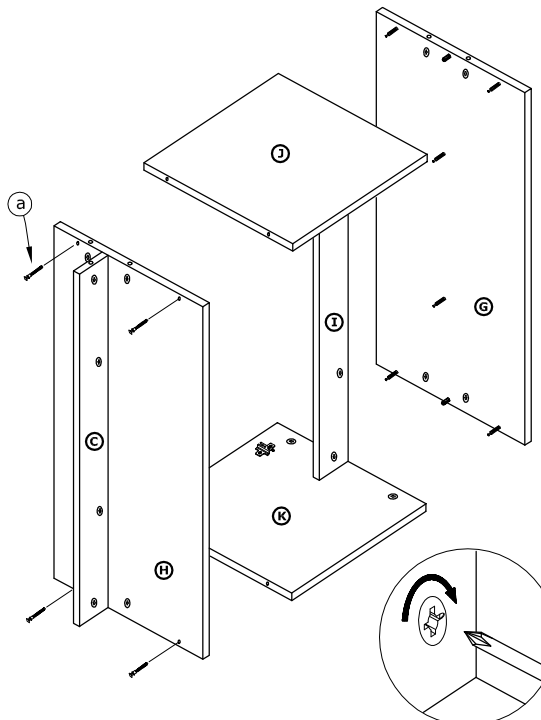
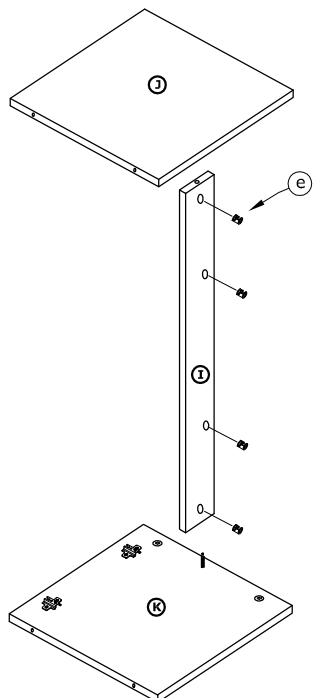
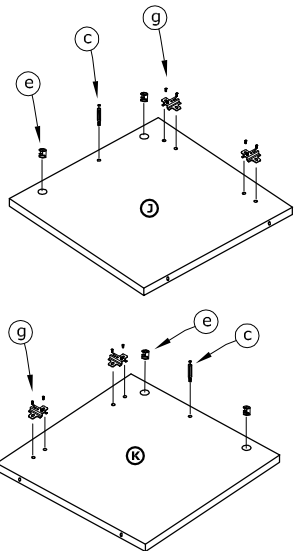
5

- | | |
|---------------------------------------------------------------------------------------------|------------------------------------------------------------------------------------------|
| x 2
 | x 4
 |
| x 4
 | |
| x 12
 | |

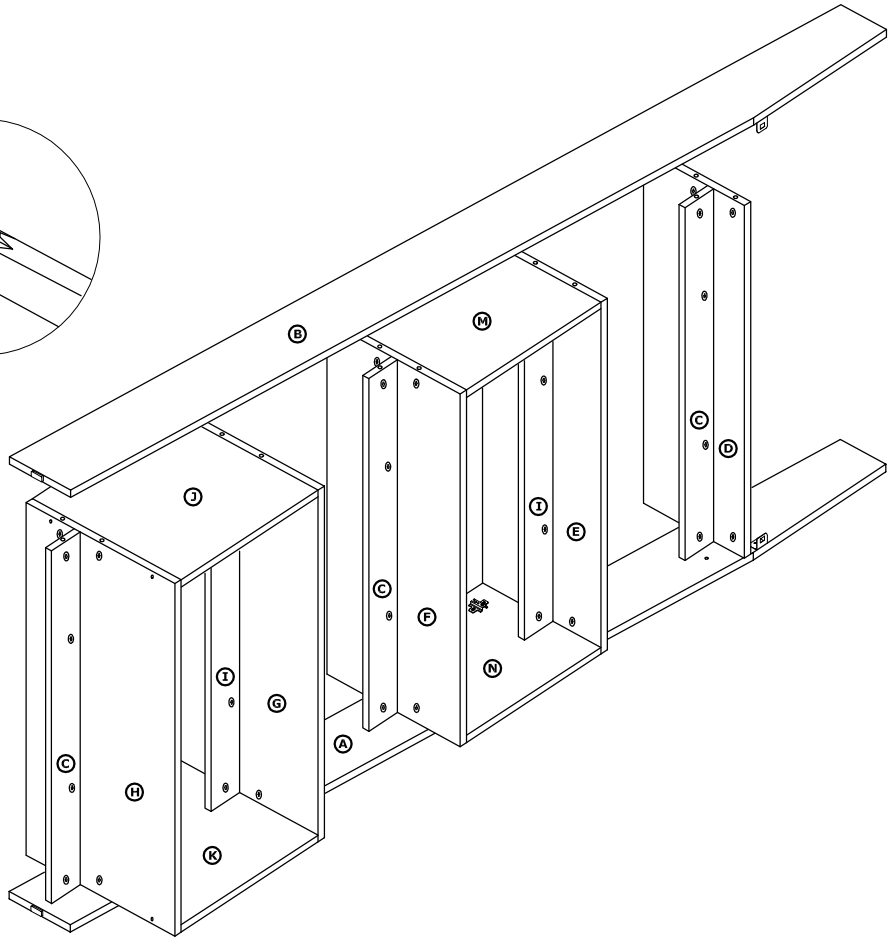
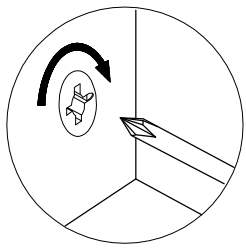


6

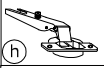

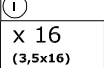

- | | |
|--------------------------------------------------------------------------------------------|--------------------------------------------------------------------------------------------|
| x 4
 | x 2
 |
| x 8
 | x 4
 |

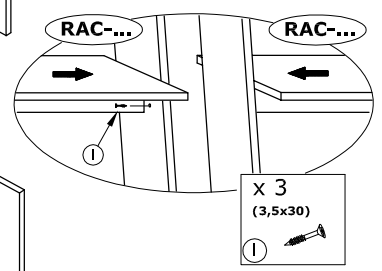
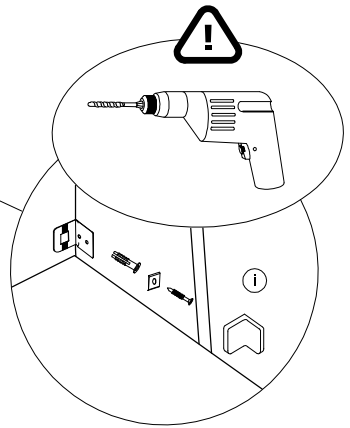
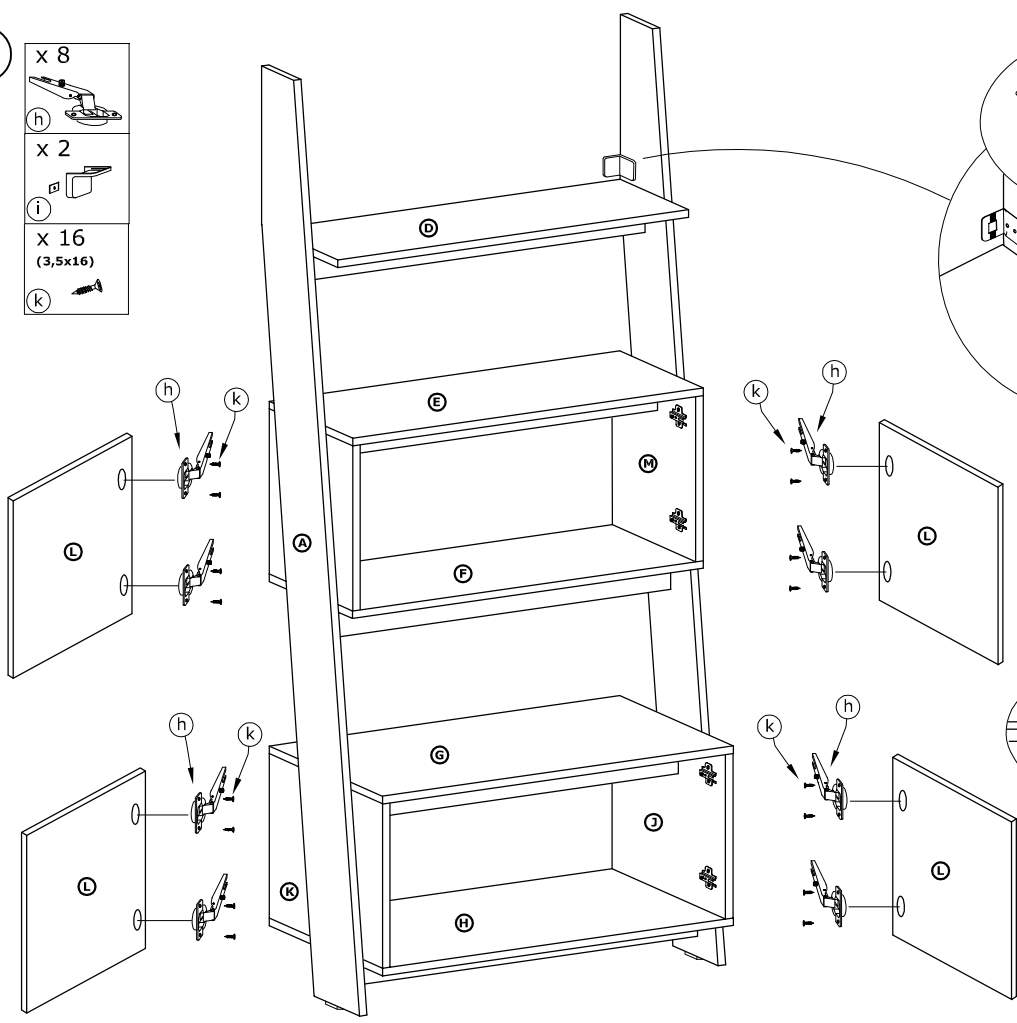


7



8

- x 8 
- x 2 
- x 16 (3,5x16) 
- 



- x 3 (3,5x30) 