

# SET UP INSTRUCTION

## Step.1

Lay table flat on smooth surface ground as shown in fig. 1.

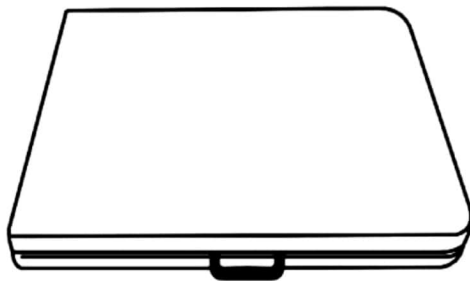


fig.1

## Step.2

Unfold the table as shown in fig.2.

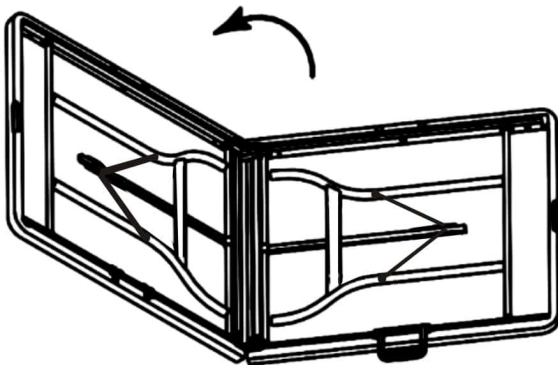


fig.2

## Step.3

Lift the two stands to the upright position as shown in fig.3. Straighten the 2 support bars as shown by applying pressure from underneath. The steel ring automatically goes down to chain up the bars!

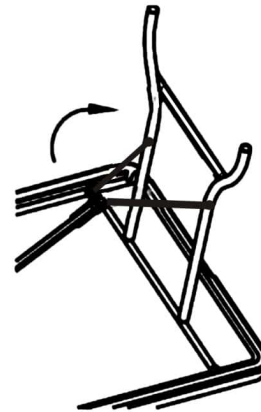


fig.3

## Step.4

Put the two sides locking bar through the two support bar as shown in fig.4

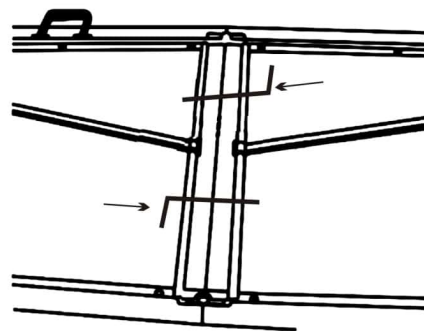


fig.4

## Step.5

Turn table over on its stands with care. Table is ready for use.

To fold away the table, please follow the above steps in reverse

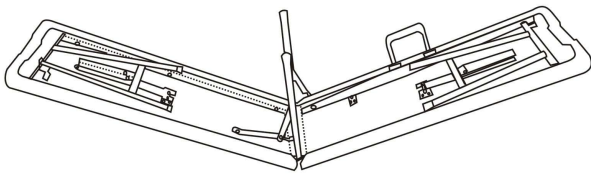
### Caution:

Always handle the setting up and folding-away of the table with great care!

# SET UP INSTRUCTION

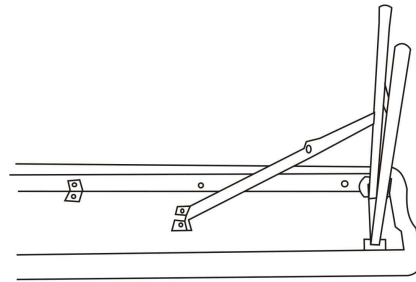
## Step.1

Open the bench as shown .



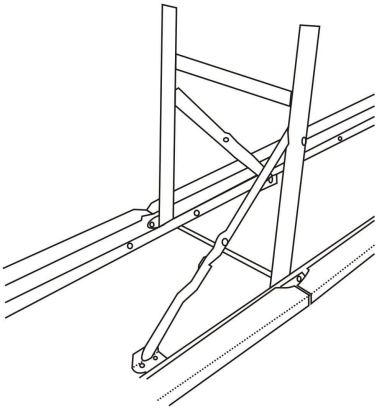
## Step. 2

Lift the two stands to the upright position as shown.



## Step.3

Keep two bars straight.



## Step.4

Turn bench over on its stands with care. Bench is ready for use..



To fold away the bench, please follow the above steps in reverse

## Caution:

Always handle the setting up and folding-away of the bench with great care!